

LinkCom[®]

LinkCom Manufacturing Co., Ltd

www.linkcom.com.tw

Your Green Power

LinkCom Manufacturing Co., Ltd.

Headquarters

5F., 127, Ln. 235, Baoqiao Rd.
Xindian Dist., New Taipei City, 231-45, Taiwan
TEL: +886-2-8919-1380
FAX: +886-2-8919-1370
E-mail: sales@linkcom.com.tw
www.linkcom.com.tw

LinkCom USA, Inc.

350 Paseo Sonrisa, Walnut, CA 91789
TEL: 909-595-5262
FAX: 909-595-5789
E-mail: sales@linkcomusa.com
www.linkcomusa.com

Factory

1 Beichung 3rd Road, Huanchi Boulevard
Technology Industrial Park, Chisi Town
Dongguan, Guangdong, China



Please contact the distributor near you

201306

LED POWER SOURCE UNIT



LinkCom Manufacturing Co., Ltd. was established 1988, and headquarter is located in New Taipei City, Taiwan since 2000.

With more than 25 years of manufacturing experiences in electronic industry, we are the pioneer of LED Power supply, LAN Transformer, Telecom Transformer, Power Transformer and Power Module around the world.

Our mission is to provide the best service in design and also manufacture the most reliable products for LED Lighting industry with both standard and customized power solutions.

One of our largest manufacturing is located in Dong Guan, China which covered an area of 50,000 square meters with more than 800 employees. Our production capacity is more than 200,000 pieces per month. Our factory is certified by ISO 9001, ISO 14001, OHSAS 18001, UL, TÜV, PSE, CQC, etc.

All LinkCom's LED Power Supply Units are certified by UL, TÜV, PSE, CE, CB Report, CQC, KC Mark to ensure our products' reliability and quality.



Index

Features		1			
Constant Current —	NON-PFC	5-BPH (5W)	2		
		10-BPH (10W)	3		
	PFC	15-LCC (13W/15W/17W)	4		
		25-LCCE (18W/20W/25W/30W) ..	5		
		25-LCCN (18W/20W/30W)	7		
		30-BPC (30W)	8		
		40-LCCS (40W)	9		
		45-LCC (45W)	10		
		60-LCC (50W/60W)	11		
		Constant Voltage with Current-Limiting —	NON-PFC	20-LSP (20W)	12
				40-LSP (40W)	13
60-LSP (60W)	14				
Constant Current —	PFC	80-LCCH (80W)	15		
		100-LCCH (100W)	16		
		120-LCCH (120W)	17		
		150-LCCH (150W)	18		
Constant Voltage —	PFC	30-LCVE (30W)	19		
		60-LCVE (60W)	20		
		80-LCVH (80W)	21		
		100-LCVH (100W)	22		
		120-LCVH (120W)	23		
Under Development	Dimmable	16W	25		
		25W	25		
Multiple Channels —	PFC	65W	25		
Constant Voltage / Constant Current —	PFC	200W	25		
Quick Selection Map		26			
Regulatory Approval List		26 • 27 • 28			

Features

- Universal AC Input: 100-240V / 100-277V
- MTBF: 100,000 hours @ 25°C
- 3-year limited warranty
- RoHS compliant
- Overload protection
- Over voltage protection
- Over temp. protection
- Short circuit protection

Constant Current Mode

5-BPH series

5-BPH



AC Input range: 90 - 264 V

AC Inrush current (Max): 30 A @ 230 V cold start

Power factor: > 0.6 @ 115 VAC; > 0.5 @ 230 VAC

Protections: Overload / Short circuit /
Over voltage / Over temp.

Operating ambient temp.: -20°C to 60°C

Storage ambient temp.: -40°C to 80°C

MTBF: 100,000 hours @ 25°C

Warranty: 2-year limited

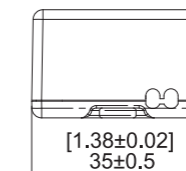
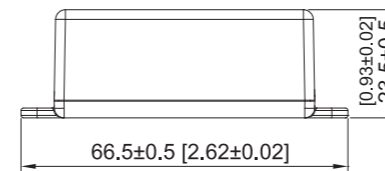
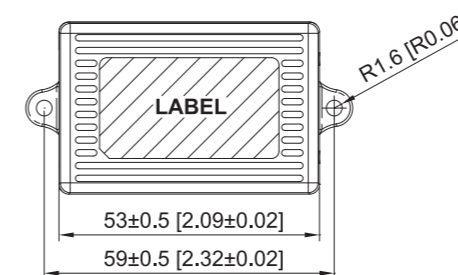
RoHS compliant

Connection: 18 AWG

Dimension (L*W*H): 66.5 * 35 * 23.5 mm

Dimension (L*W*H): 2.62 * 1.38 * 0.93 inch

Packaging: 70 g/pc; 160 pcs/ctn; G.W.: 13.2 kg



unit: mm [inch]



Marks & Signs

	Independent control gear
	Safety isolating control gear
	Class II PSU
	Protection against overheating to prevent the lamp control gear case temp under any conditions of use from exceeding the indicated value (110°C)
	Suitability for direct mounting (Max case temp. <130°C under normal operation)
	Suitability for direct mounting in any wooden cabinet (Max case temp. <95°C under normal operation and <115°C in abnormal operation)
LPS	Limited Power Source
SELV	Safety Extra Low Voltage (output < 50VDC)

Comply with regulatory approvals as below:

	UL 1310 Class2; UL 60950-1; UL 879
	TÜV EN61347-2-13
CB	CB Report (IEC61347-2-13)
	PSE
CE	CE: EN55015; EN61547; EN61000-3-2,3; EN61000-4-2,3,4,5,6,8,11
FC	FCC: Part 18; Subpart C; Part15; Subpart B
	KC: K61347-2-13
	CQC: GB19510.14; GB19510.1; GB17743; GB17625.1

SAFETY CERTIFICATION					EMC STANDARDS	
UL	TÜV	PSE			CE	

For indoor & outdoor applications (IP67 rating)

Model	DC Voltage	Rated Current	Power	Efficiency (Typ.)
BPHE005C201	3-25V	200mA±10%	5 W	70%
BPHE005C251	3-20V	250mA±10%	5 W	70%
BPHE005C301	3-18V	300mA±10%	5.4 W	70%
※ BPHE005C351	3-15V	350mA±10%	5.3 W	70%
BPHE005C401	3-12V	400mA±10%	4.8 W	70%
BPHE005C451	3-12V	450mA±10%	5.4 W	70%
BPHE005C501	3-10V	500mA±10%	5 W	70%
BPHE005C551	3-10V	550mA±10%	5.5 W	70%
BPHE005C601	3- 7V	600mA±10%	4.2 W	70%
BPHE005C651	3- 7V	650mA±10%	4.55W	70%
※ BPHE005C701	3- 7V	700mA±10%	4.9 W	70%
BPHE005C751	3- 5V	750mA±10%	3.8 W	70%
BPHE005C801	3- 5V	800mA±10%	4 W	70%

Note: Electrical Specifications measured @ 25°C
Note: ※ Standard Products

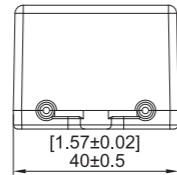
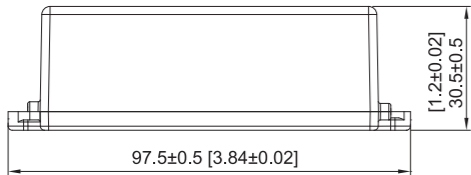
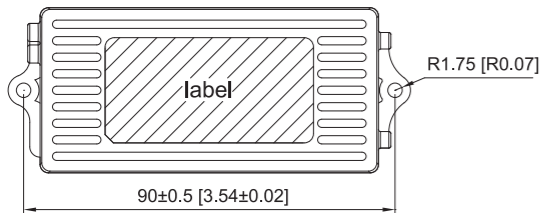
10-BPH series

Constant Current Mode

10-BPH



AC Input range: 90 - 264 V
AC Inrush current (Max): 40 A @ 230 V cold start
Power factor: > 0.6 @ 115 VAC; > 0.5 @ 230 VAC
Protections: Overload / Short circuit /
 Over voltage / Over temp.
Operating ambient temp.: -20°C to 60°C
Storage ambient temp.: -40°C to 80°C
MTBF: 100,000 hours @ 25°C
Warranty: 2-year limited
RoHS compliant
Connection: 18 AWG
Dimension (L*W*H): 97.5 * 40 * 30.5 mm
Dimension (L*W*H): 3.84 * 1.57 * 1.2 inch
Packaging: 138 g/pc; 60 pcs/ctn; G.W.: 10.28 kg



unit: mm [inch]



SAFETY CERTIFICATION				EMC STANDARDS	
UL	TÜV	PSE		CE	

For indoor & outdoor applications (IP67 rating)

Model	DC Voltage	Rated Current	Power	Efficiency (Typ.)
BPHE010C201	3 - 48 V	200 mA ±10%	9.6 W	70%
BPHE010C251	3 - 40 V	250 mA ±10%	10 W	70%
BPHE010C301	3 - 34 V	320 mA ±10%	10.8 W	70%
※ BPHE010C351	3 - 30 V	350 mA ±10%	10.5 W	70%
BPHE010C401	3 - 25 V	400 mA ±10%	10 W	70%
BPHE010C451	3 - 24 V	450 mA ±10%	10.8 W	70%
BPHE010C501	3 - 20 V	500 mA ±10%	10 W	70%
BPHE010C551	3 - 18 V	550 mA ±10%	9.9 W	70%
BPHE010C601	3 - 17 V	600 mA ±10%	10.2 W	70%
BPHE010C651	3 - 15 V	650 mA ±10%	9.75 W	70%
※ BPHE010C701	3 - 15 V	700 mA ±10%	10.5 W	70%
BPHE010C751	3 - 13 V	750 mA ±10%	9.8 W	70%
BPHE010C801	3 - 12 V	800 mA ±10%	9.6 W	70%

Note: Electrical Specifications measured @ 25°C
 Note: ※ Standard Products

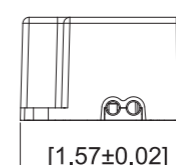
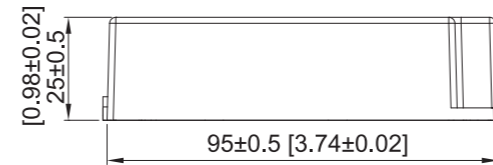
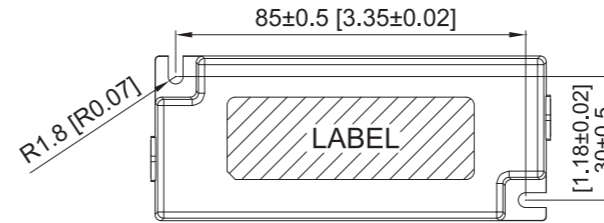
15-LCC series

Constant Current Mode

15-LCC



AC Input range: 90 - 305 V
AC Inrush current (Max): 5 A @ 230 V cold start
Power factor: > 0.95 @ 115 VAC; > 0.9 @ 230 VAC
Protections: Overload / Short circuit /
 Over voltage / Over temp.
Operating ambient temp.: -20°C to 60°C
Storage ambient temp.: -40°C to 80°C
MTBF: 100,000 hours @ 25°C
Warranty: 3-year limited
RoHS compliant
Connection: 18 AWG
Dimension (L*W*H): 95 * 40 * 25 mm
Dimension (L*W*H): 3.74 * 1.57 * 0.98 inch
Packaging: 165 g/pc; 60 pcs/ctn; G.W.: 11.9 kg



unit: mm [inch]



SAFETY CERTIFICATION				EMC STANDARDS	
UL	PSE			CE	FCC

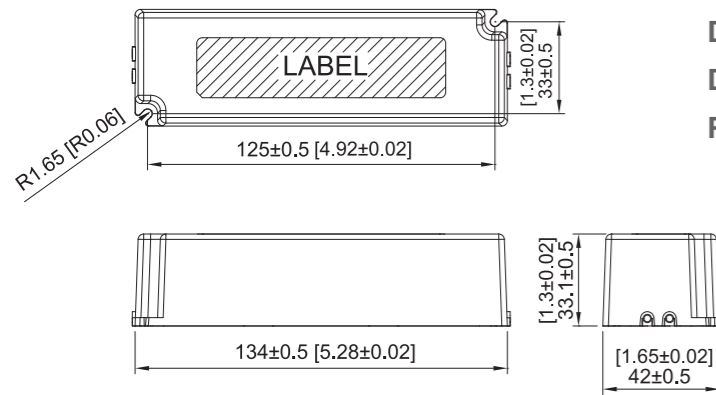
For indoor & outdoor applications (IP67 rating)

Model	DC Voltage	Rated Current	Power	Efficiency (Typ.)
※ LCCE-013 ■ 112	9 - 12 V	1.05 A ± 10%	12.6 W	80%
LCCE-013 ■ 721	13 - 18 V	0.72 A ± 10%	13 W	80%
※ LCCE-013 ■ 501	19 - 24 V	0.5 A ± 10%	12 W	80%
LCCE-013 ■ 351	30 - 36 V	0.35 A ± 10%	12.6 W	80%
※ LCCE-015 ■ 112	11 - 15 V	1.05 A ± 10%	15.8 W	80%
LCCE-015 ■ 801	13 - 18 V	0.8 A ± 10%	14.4 W	80%
LCCE-015 ■ 501	24 - 32 V	0.5 A ± 10%	16 W	80%
LCCE-015 ■ 721	14 - 20 V	0.72 A ± 10%	14.4 W	80%
※ LCCE-017 ■ 142	9 - 12 V	1.35 A ± 10%	16.2 W	80%
※ LCCE-017 ■ 122	11 - 15 V	1.2 A ± 10%	18 W	80%
※ LCCE-017 ■ 112	13 - 18 V	1.05 A ± 10%	18.9 W	80%
LCCE-017 ■ 801	14 - 20 V	0.8 A ± 10%	16 W	80%
※ LCCE-017 ■ 701	19 - 24 V	0.7 A ± 10%	16.8 W	80%
LCCE-017 ■ 501	30 - 36 V	0.5 A ± 10%	18 W	80%
LCCE-017 ■ 351	38 - 48 V	0.35 A ± 10%	16.8 W	80%

Note: Electrical Specifications measured @ 25°C
 Note: ※ Standard Products



AC Input range: 90 - 305 V
AC Inrush current (Max): 10 A @ 230 V cold start
Power factor: > 0.95 @ 115 VAC; > 0.9 @ 230 VAC
Protections: Overload / Short circuit /
 Over voltage / Over temp.
Operating ambient temp.: -20°C to 60°C
Storage ambient temp.: -40°C to 80°C
MTBF: 100,000 hours @ 25°C
Warranty: 3-year limited
RoHS compliant
Connection: 18 AWG
Dimension (L*W*H): 134 * 42 * 33.1 mm
Dimension (L*W*H): 5.28 * 1.65 * 1.3 inch
Packaging: 310 g/pc; 40 pcs/ctn; G.W.: 14.5 kg



unit: mm [inch]



SAFETY CERTIFICATION					EMC STANDARDS	
UL	TÜV	CB Report	PSE	CQC	CE	FCC

For indoor & outdoor applications (IP67 rating)

Model	DC Voltage	Rated Current	Power	Efficiency (Typ.)
LCCE-018■501	30 - 36 V	0.5 A ± 5%	18 W	80%
LCCE-018■701	18 - 24 V	0.7 A ± 5%	16.8 W	84%
LCCE-018■122	10 - 15 V	1.2 A ± 5%	18 W	80%
LCCE-020■601	30 - 36 V	0.6 A ± 5%	21.6 W	84%
LCCE-020■701	21 - 28 V	0.7 A ± 5%	19.6 W	80%
※LCCE-020■801	18 - 24 V	0.8 A ± 5%	19.2 W	84%
LCCE-020■851	19 - 25 V	0.85 A ± 5%	21.25 W	84%
LCCE-020■112	8 - 14 V	1.05 A ± 5%	14.7 W	80%
LCCE-020■122	8 - 14 V	1.2 A ± 5%	16.8 W	80%
LCCE-020■142	8 - 14 V	1.4 A ± 5%	19.6 W	80%
LCCE-020■152	9 - 15 V	1.5 A ± 5%	22.5 W	80%
LCCE-020■172	8 - 12 V	1.7 A ± 5%	20.4 W	80%

Note: Electrical Specifications measured @ 25°C
 Note: ※ Standard Products

For indoor & outdoor applications (IP67 rating)

Model	DC Voltage	Rated Current	Power	Efficiency (Typ.)
※LCCE-025■701	30 - 36 V	0.7 A ± 5%	25.2 W	84%
※LCCE-025■801	24 - 30 V	0.8 A ± 5%	24 W	82%
LCCE-025■901	18 - 24 V	0.9 A ± 5%	21.6 W	84%
※LCCE-025■112	18 - 24 V	1.05 A ± 5%	25.2 W	83%
※LCCE-025■122	15 - 21 V	1.2 A ± 5%	25.2 W	82%
LCCE-025■152	11 - 17 V	1.5 A ± 5%	25.5 W	82%
LCCE-030■831	30 - 36 V	0.83 A ± 5%	29.88 W	83%
※LCCE-030■112	22 - 28 V	1.05 A ± 5%	29.4 W	83%
LCCE-030■130	18 - 24 V	1.25 A ± 5%	30 W	82%
LCCE-030■102	24 - 30 V	1 A ± 5%	30 W	80%
LCCE-030■202	12 - 15 V	2 A ± 5%	30 W	80%

Note: Electrical Specifications measured @ 25°C
 Note: ※ Standard Products

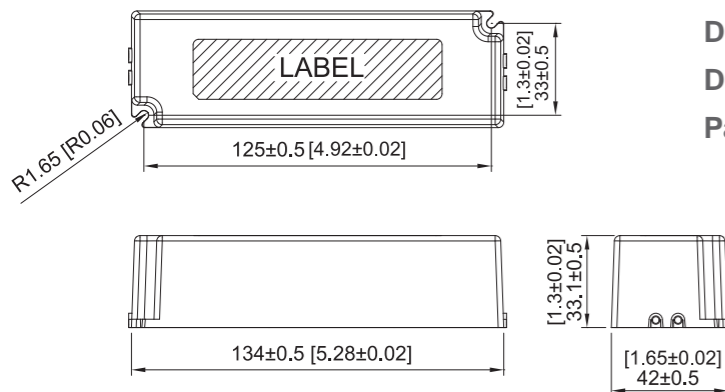
25-LCCN series

Constant Current Mode

25-LCCN



AC Input range: 90 - 305 V
AC Inrush current (Max): 10 A @ 230 V cold start
Power factor: > 0.95 @ 115 VAC; > 0.9 @ 230 VAC
Protections: Overload / Short circuit /
 Over voltage / Over temp.
Operating ambient temp.: -20°C to 50°C
Storage ambient temp.: -40°C to 80°C
MTBF: 100,000 hours @ 25°C
Warranty: 2-year limited
RoHS compliant
Connection: 18 AWG
Dimension (L*W*H): 134 * 42 * 33.1 mm
Dimension (L*W*H): 5.28 * 1.65 * 1.3 inch
Packaging: 205 g/pc; 40 pcs/ctn; G.W.: 10.2 kg



unit: mm [inch]



SAFETY CERTIFICATION				EMC STANDARDS	
UL	PSE	CQC		CE	

For indoor applications only

Model	DC Voltage	Rated Current	Power	Efficiency(Typ.)
LCCN-018■501	30 – 36 V	0.5 A ± 5%	18 W	80%
LCCN-018■701	18 – 24 V	0.7 A ± 5%	16.8 W	84%
LCCN-018■122	12 – 15 V	1.2 A ± 5%	18 W	80%
LCCN-020■601	30 – 36 V	0.6 A ± 5%	21.6 W	84%
LCCN-020■701	22 – 28 V	0.7 A ± 5%	19.6 W	80%
LCCN-020■851	19 – 25 V	0.85 A ± 5%	21.25 W	84%
LCCN-020■122	8 – 14 V	1.05 A ± 5%	14.7 W	80%
LCCN-020■142	8 – 14 V	1.4 A ± 5%	19.6 W	80%
LCCN-020■152	12 – 15 V	1.5 A ± 5%	22.5 W	80%
LCCN-030■831	30 – 36 V	0.83 A ± 5%	29.88 W	83%
※LCCN-030■112	22 – 28 V	1.05 A ± 5%	29.4 W	83%

Note: Electrical Specifications measured @ 25°C
 Note: ※ Standard Products

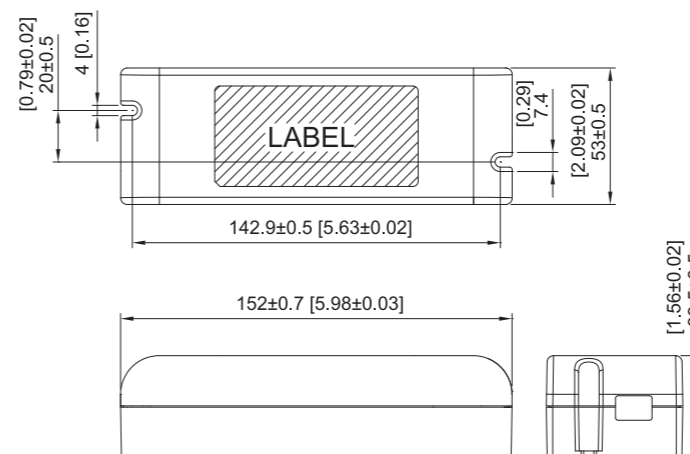
30-BPC series

Constant Current Mode

30-BPC



AC Input range: 90 - 264 V
AC Inrush current (Max): 50 A @ 230 V cold start
Power factor: > 0.95 @ 115 VAC; > 0.9 @ 230 VAC
Protections: Overload / Short circuit /
 Over voltage / Over temp.
Operating ambient temp.: -20°C to 60°C
Storage ambient temp.: -40°C to 80°C
MTBF: 100,000 hours @ 25°C
Warranty: 3-year limited
RoHS compliant
Fly leads: 18 AWG
Dimension (L*W*H): 152 * 53 * 39.5 mm
Dimension (L*W*H): 5.98 * 2.09 * 1.56 inch
Packaging: 416 g/pc; 20 pcs/ctn; G.W.: 10.32 kg



unit: mm [inch]



SAFETY CERTIFICATION				EMC STANDARDS	
TÜV	CB Report	PSE		CE	

For indoor & outdoor applications (IP67 rating)

Model	DC Voltage	Rated Current	Power	Efficiency(Typ.)
BPCE030C701	32 – 42 V	0.7 A ± 10%	29.4 W	85%
BPCE030C112	24 – 32 V	1.05 A ± 10%	33.6 W	85%
BPCE030C142	18 – 24 V	1.4 A ± 10%	33.6 W	85%

Note: Electrical Specifications measured @ 25°C

For indoor applications only

Operating ambient temp.: -20°C to 40°C

Model	DC Voltage	Rated Current	Power	Efficiency(Typ.)
BPCN030C701	32 – 42 V	0.7 A ± 10%	29.4 W	85%
BPCN030C112	24 – 32 V	1.05 A ± 10%	33.6 W	85%
BPCN030C142	18 – 24 V	1.4 A ± 10%	33.6 W	85%

Note: Electrical Specifications measured @ 25°C

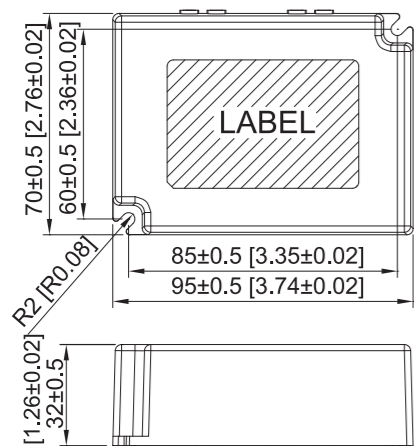
40-LCCS series

Constant Current Mode

40-LCCS



AC Input range: 90 - 264 V
AC Inrush current (Max): 20 A @ 230 V cold start
Power factor: > 0.95 @ 115 VAC; > 0.9 @ 230 VAC
Protections: Overload / Short circuit /
 Over voltage / Over temp.
Operating ambient temp.: -20°C to 60°C
Storage ambient temp.: -40°C to 80°C
MTBF: 100,000 hours @ 25°C
Warranty: 2-year limited
RoHS compliant
Connection: 18 AWG
Dimension (L*W*H): 95 * 70 * 32 mm
Dimension (L*W*H): 3.74 * 2.76 * 1.26 inch
Packaging: 340 g/pc; 30 pcs/ctn; G.W.: 12.2 kg



unit: mm [inch]



CB CE

SAFETY CERTIFICATION				EMC STANDARDS	
TÜV	CB Report			CE	

For indoor & outdoor applications (IP67 rating)

Model	DC Voltage	Rated Current	Power	Efficiency (Typ.)
※ LCCS-040■112	30 - 36 V	1.1 A ± 5%	39.6 W	85%
※ LCCS-040■142	19 - 24 V	1.4 A ± 5%	33.6 W	84%
LCCS-040■172	19 - 24 V	1.7 A ± 5%	40.8 W	85%
LCCS-040■282	9 - 12 V	2.8 A ± 5%	33.6 W	80%
LCCS-040■312	9 - 12 V	3.05 A ± 5%	36.6 W	81%
※ LCCS-040■342	9 - 12 V	3.4 A ± 5%	40.8 W	80%

Note: Electrical Specifications measured @ 25°C
 Note: ※ Standard Products

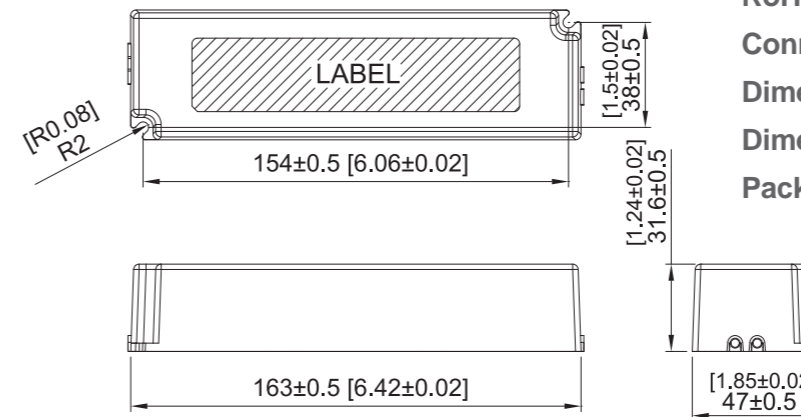
45-LCC series

Constant Current Mode

45-LCC



AC Input range: 90 - 305 V
AC Inrush current (Max): 50 A @ 230 V cold start
Power factor: > 0.95 @ 115 VAC; > 0.9 @ 230 VAC
Protections: Overload / Short circuit /
 Over voltage / Over temp.
Operating ambient temp.: -20°C to 60°C
Storage ambient temp.: -40°C to 80°C
MTBF: 100,000 hours @ 25°C
Warranty: 3-year limited
RoHS compliant
Connection: 18 AWG
Dimension (L*W*H): 163 * 47 * 31.6 mm
Dimension (L*W*H): 6.42 * 1.85 * 1.24 inch
Packaging: 403 g/pc; 30 pcs/ctn; G.W.: 14.09 kg



unit: mm [inch]



UL CE FCC

SAFETY CERTIFICATION				EMC STANDARDS	
UL				CE	FCC

For indoor & outdoor applications (IP67 rating)

Model	DC Voltage	Rated Current	Power	Efficiency (Typ.)
LCCE-045■951	36 - 48 V	0.95 A ± 5%	46.1 W	86%
※ LCCE-045■112	32 - 42 V	1.1 A ± 5%	46.2 W	86%
LCCE-045■132	27 - 36 V	1.3 A ± 5%	46.8 W	86%
LCCE-045■152	23 - 30 V	1.5 A ± 5%	45 W	85%
※ LCCE-045■192	18 - 24 V	1.9 A ± 5%	45.6 W	85%
LCCE-045■232	15 - 20 V	2.3 A ± 5%	46 W	84%
LCCE-045■302	11.2 - 15 V	3 A ± 5%	45 W	83%
LCCE-040■342	9 - 12 V	3.4 A ± 5%	40.8 W	82%
LCCE-052■132	31.5 - 42 V	1.25 A ± 5%	52.5 W	87%

Note: Electrical Specifications measured @ 25°C
 Note: ※ Standard Products

60-LCC series

Constant Current Mode

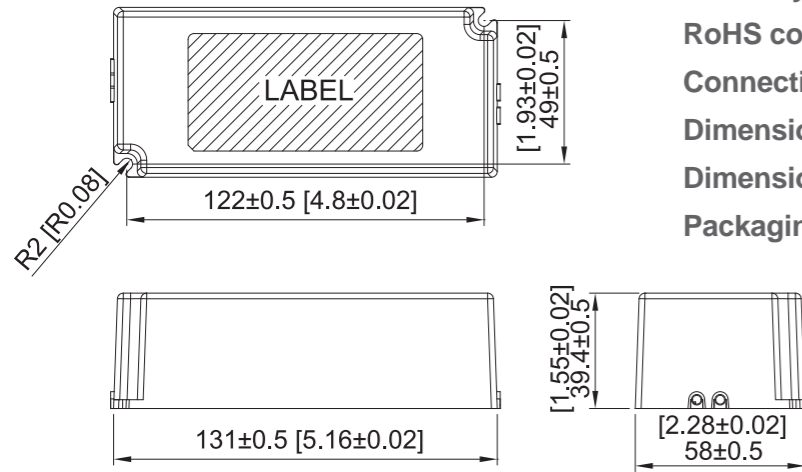
20-LSP series

Constant Voltage
with Current-limiting Mode

60-LCC



AC Input range: 90 - 305 V
 AC Inrush current (Max): 50 A @ 230 V cold start
 Power factor: > 0.95 @ 115 VAC; > 0.9 @ 230 VAC
 Protections: Overload / Short circuit /
 Over voltage / Over temp.
 Operating ambient temp.: -20°C to 60°C
 Storage ambient temp.: -40°C to 80°C
 MTBF: 100,000 hours @ 25°C
 Warranty: 3-year limited
 RoHS compliant
 Connection: 18 AWG
 Dimension (L*W*H): 131 * 58 * 39.4 mm
 Dimension (L*W*H): 5.16 * 2.28 * 1.55 inch
 Packaging: 450 g/pc; 30 pcs/ctn; G.W.: 15.5 kg



unit: mm [inch]



SAFETY CERTIFICATION				EMC STANDARDS	
PSE					

For indoor & outdoor applications (IP67 rating)

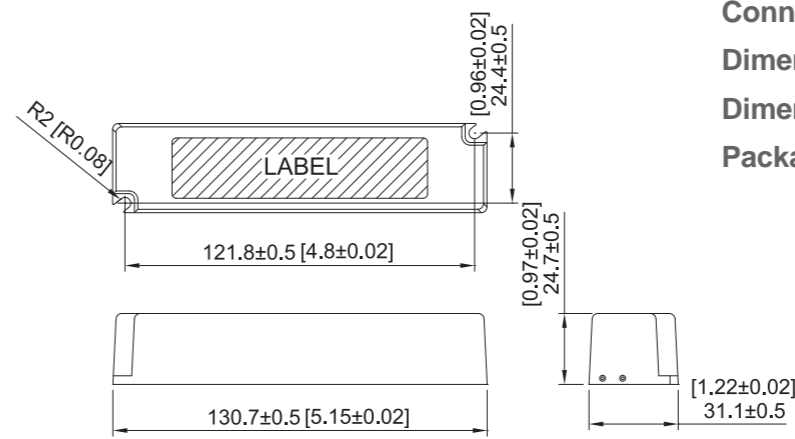
Model	DC Voltage	Rated Current	Power	Efficiency (Typ.)	Status
※ LCCE-060 ■ 132	42 - 48 V	1.3 A ± 5%	62.4W	88%	△
LCCE-060 ■ 142	32 - 42 V	1.4 A ± 5%	58.8W	88%	△
LCCE-060 ■ 152	30 - 40 V	1.5 A ± 5%	60 W	88%	△
LCCE-060 ■ 172	27 - 36 V	1.7 A ± 5%	61.2W	88%	△
LCCE-060 ■ 212	23 - 30 V	2.1 A ± 5%	60 W	87%	△

Note: Electrical Specifications measured @ 25°C
 Note: ※ Standard Products
 Note: △ Designing

20-LSP



AC Input range: 90 - 264 V
 AC Inrush current (Max): 50 A @ 230 V cold start
 Protections: Overload / Short circuit /
 Over voltage / Over temp.
 Operating ambient temp.: -20°C to 60°C
 Storage ambient temp.: -40°C to 80°C
 MTBF: 100,000 hours @ 25°C
 Warranty: 2-year limited
 RoHS compliant
 Connection: 18 AWG
 Dimension (L*W*H): 130.7 * 31.1 * 24.7 mm
 Dimension (L*W*H): 5.15 * 1.22 * 0.97 inch
 Packaging: 153 g/pc; 60 pcs/ctn; G.W.: 11.2 kg



unit: mm [inch]



SAFETY CERTIFICATION				EMC STANDARDS	
UL	TÜV	CB Report	PSE	CE	

For indoor & outdoor applications (IP67 rating)

Model	DC Voltage		Rated Current	Power	Efficiency (Typ.)
	Constant Voltage Mode	Current-limiting Mode			
LSP200212001	12 V ± 5%	8 - 12 V	1.7 A ± 5%	20.7 W	83%
LSP200212002	12 V ± 5%	8 - 12 V	1.5 A ± 5%	18 W	83%
LSP200224001	24 V ± 5%	18 - 24 V	0.8 A ± 5%	19.2 W	83%
LSP200224002	28 V ± 5%	20 - 28 V	0.8 A ± 5%	22.4 W	83%
LSP200224003	24 V ± 5%	18 - 24 V	0.9 A ± 5%	21.6 W	83%
LSP200224004	28 V ± 5%	20 - 28 V	0.6 A ± 5%	16.8 W	83%
LSP200224005	24 V ± 5%	18 - 24 V	0.7 A ± 5%	16.8 W	83%
LSP200228001	28 V ± 5%	20 - 28 V	0.8 A ± 5%	22.4 W	83%

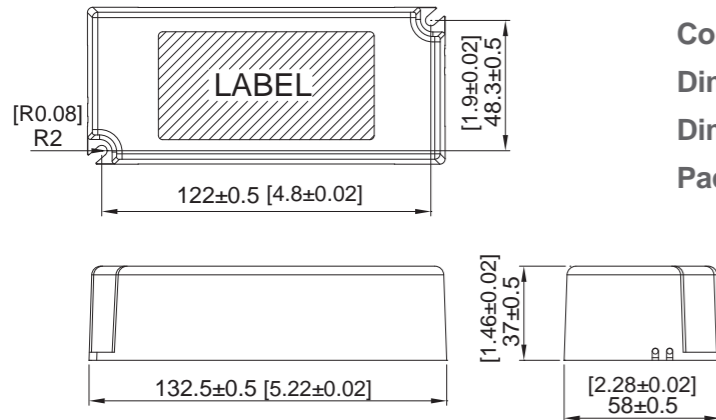
Note: Electrical Specifications measured @ 25°C

40-LSP series

Constant Voltage
with Current-limiting Mode



AC Input range: 90 - 264 V
AC Inrush current (Max): 50 A @ 230 V cold start
Power factor: > 0.6 @ 115 VAC; > 0.5 @ 230 VAC
Protections: Overload / Short circuit /
Over voltage / Over temp.
Operating ambient temp.: -20°C to 60°C
Storage ambient temp.: -40°C to 80°C
MTBF: 100,000 hours @ 25°C
Warranty: 2-year limited
RoHS compliant
Connection: 18 AWG
Dimension (L*W*H): 132.5 * 58 * 37 mm
Dimension (L*W*H): 5.22 * 2.28 * 1.46 inch
Packaging: 450 g/pc; 30 pcs/ctn; G.W.: 15.5 kg



unit: mm [inch]



SAFETY CERTIFICATION					EMC STANDARDS	
UL	PSE				CE	

For indoor & outdoor applications (IP67 rating)

Model	DC Voltage		Rated Current	Power	Efficiency (Typ.)
	Constant Voltage Mode	Current-limiting Mode			
LSP400212001	12 V± 5%	8 - 12 V	3.4 A ± 5%	40.8 W	83%
LSP400224001	24 V± 5%	18 - 24 V	1.7 A ± 5%	40.8 W	83%

Note: Electrical Specifications measured @ 25°C

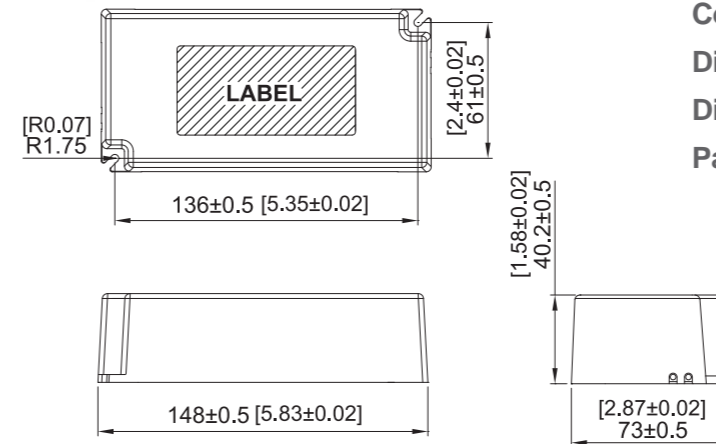
40-LSP

60-LSP series

Constant Voltage
with Current-limiting Mode



AC Input range: 90 - 264 V
AC Inrush current (Max): 50 A @ 230 V cold start
Power factor: > 0.6 @ 115 VAC; > 0.5 @ 230 VAC
Protections: Overload / Short circuit /
Over voltage / Over temp.
Operating ambient temp.: -20°C to 60°C
Storage ambient temp.: -40°C to 80°C
MTBF: 100,000 hours @ 25°C
Warranty: 2-year limited
RoHS compliant
Connection: 18 AWG
Dimension (L*W*H): 148 * 73 * 40.2 mm
Dimension (L*W*H): 5.83 * 2.87 * 1.58 inch
Packaging: 575 g/pc; 20 pcs/ctn; G.W.: 13.5 kg



unit: mm [inch]



SAFETY CERTIFICATION					EMC STANDARDS	
UL	PSE				CE	

For indoor & outdoor applications (IP67 rating)

Model	DC Voltage		Rated Current	Power	Efficiency (Typ.)
	Constant Voltage Mode	Current-limiting Mode			
LSP600212001	12 V± 5%	8 - 12 V	5 A ± 5%	60 W	83%
LSP600224001	24 V± 5%	18 - 24 V	2.5 A ± 5%	60 W	83%

Note: Electrical Specifications measured @ 25°C

60-LSP

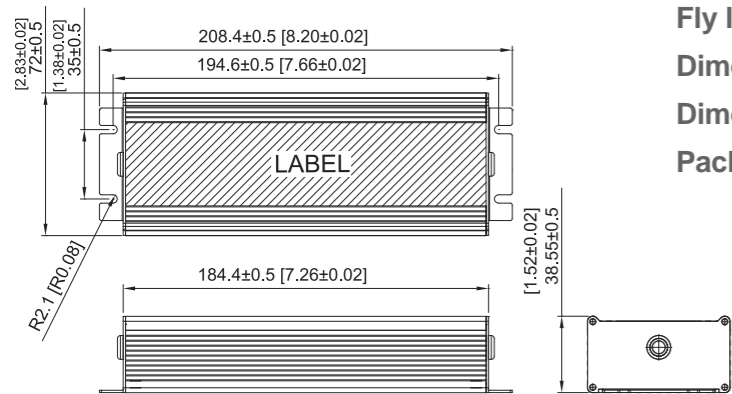
80-LCCH series

Constant Current Mode

80-LCCH



AC Input range: 90 - 305 V
AC Inrush current (Max): 65 A @ 230 V cold start
Power factor: > 0.98 @ 115 VAC; > 0.95 @ 230 VAC
Protections: Overload / Short circuit /
 Over voltage / Over temp.
Operating ambient temp.: -30°C to 70°C
Storage ambient temp.: -40°C to 80°C
MTBF: 100,000 hours @ 25°C
Warranty: 3-year limited
RoHS compliant
Fly leads: 18 AWG
Dimension (L*W*H): 208.4 * 72 * 38.55 mm
Dimension (L*W*H): 8.2 * 2.83 * 1.52 inch
Packaging: 1 kg/pc; 10 pcs/ctn; G.W.: 12 kg



unit: mm [inch]



SAFETY CERTIFICATION				EMC STANDARDS	
UL	PSE				

For indoor & outdoor applications (IP67 rating)

Model	DC Voltage	Rated Current	Power	Efficiency (Typ.)
LCCH-080■120	8.5 - 12 V	6.7 A ± 5%	80.4 W	87%
LCCH-080■240	18 - 24 V	3.4 A ± 5%	81.6 W	88%
LCCH-080■300	24 - 30 V	2.7 A ± 5%	81 W	88%
LCCH-080■360	30 - 36 V	2.3 A ± 5%	82.8 W	90%
LCCH-080■420	36 - 42 V	1.9 A ± 5%	79.8 W	90%
LCCH-080■480	42 - 48 V	1.67 A ± 5%	80.16 W	90%

Note: Electrical Specifications measured @ 25°C

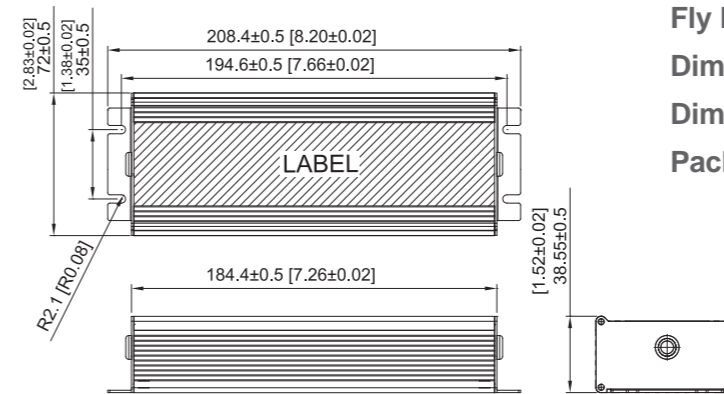
100-LCCH series

Constant Current Mode

100-LCCH



AC Input range: 90 - 305 V
AC Inrush current (Max): 65 A @ 230 V cold start
Power factor: > 0.98 @ 115 VAC; > 0.95 @ 230 VAC
Protections: Overload / Short circuit /
 Over voltage / Over temp.
Operating ambient temp.: -30°C to 70°C
Storage ambient temp.: -40°C to 80°C
MTBF: 100,000 hours @ 25°C
Warranty: 3-year limited
RoHS compliant
Fly leads: 18 AWG
Dimension (L*W*H): 208.4 * 72 * 38.55 mm
Dimension (L*W*H): 8.2 * 2.83 * 1.52 inch
Packaging: 1 kg/pc; 10 pcs/ctn; G.W.: 12 kg



unit: mm [inch]



SAFETY CERTIFICATION				EMC STANDARDS	
UL	TÜV	CB Report	PSE	CE	FCC

For indoor & outdoor applications (IP67 rating)

Model	DC Voltage	Rated Current	Power	Efficiency (Typ.)
※ LCCH-100■120	8.5 - 12 V	8 A ± 5%	96 W	88%
※ LCCH-100■240	18 - 24 V	4.2 A ± 5%	100.8 W	90%
LCCH-100■300	24 - 30 V	3.4 A ± 5%	102 W	91%
LCCH-100■360	30 - 36 V	2.8 A ± 5%	100.8 W	91%
LCCH-100■420	36 - 42 V	2.4 A ± 5%	100.8 W	91%
LCCH-100■480	42 - 48 V	2.1 A ± 5%	100.8 W	91%

Note: Electrical Specifications measured @ 25°C

Note: ※ Standard Products

Note: Operating ambient temperature refer to output derating curve.

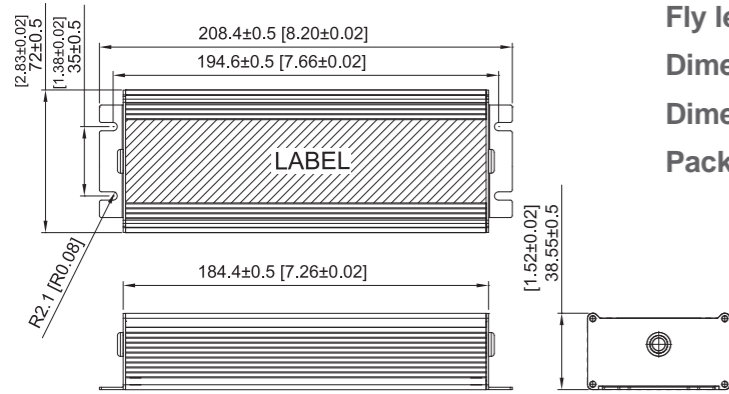
120-LCCH series

Constant Current Mode

120-LCCH



AC Input range: 90 - 305 V
AC Inrush current (Max): 65 A @ 230 V cold start
Power factor: > 0.98 @ 115 VAC; > 0.95 @ 230 VAC
Protections: Overload / Short circuit /
 Over voltage / Over temp.
Operating ambient temp.: -30°C to 70°C
Storage ambient temp.: -40°C to 80°C
MTBF: 100,000 hours @ 25°C
Warranty: 3-year limited
RoHS compliant
Fly leads: 18 AWG
Dimension (L*W*H): 208.4 * 72 * 38.55 mm
Dimension (L*W*H): 8.2 * 2.83 * 1.52 inch
Packaging: 1 kg/pc; 10 pcs/ctn; G.W.: 12 kg



unit: mm [inch]



SAFETY CERTIFICATION				EMC STANDARDS	
UL	TÜV	CB Report	PSE	CE	FCC

For indoor & outdoor applications (IP67 rating)

Model	DC Voltage	Rated Current	Power	Efficiency (Typ.)
LCCH-120■125	8.5 – 12.5 V	9.6 A ± 5%	120 W	87%
LCCH-120■240	18 – 24 V	5 A ± 5%	120 W	90%
LCCH-120■300	24 – 30 V	4 A ± 5%	120 W	91%
LCCH-120■360	30 – 36 V	3.4 A ± 5%	122.4 W	91%
LCCH-120■420	36 – 42 V	2.9 A ± 5%	121.8 W	92%
LCCH-120■480	42 – 48 V	2.5 A ± 5%	120 W	92%

Note: Electrical Specifications measured @ 25°C
 Note: Operating ambient temperature refer to output derating curve.

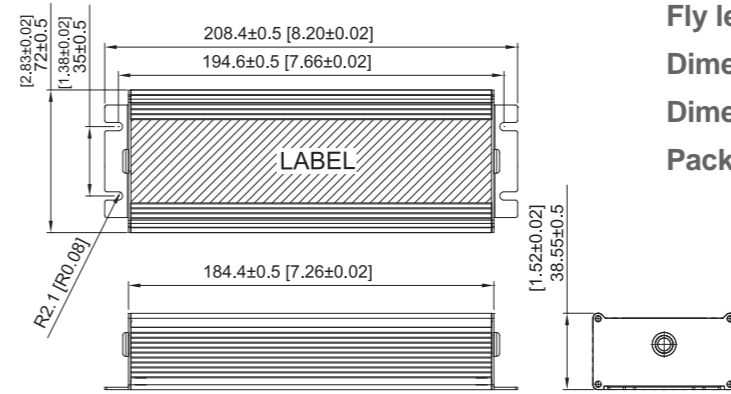
150-LCCH series

Constant Current Mode

150-LCCH



AC Input range: 90 - 305 V
AC Inrush current (Max): 65 A @ 230 V cold start
Power factor: > 0.98 @ 115 VAC; > 0.95 @ 230 VAC
Protections: Overload / Short circuit /
 Over voltage / Over temp.
Operating ambient temp.: -30°C to 70°C
Storage ambient temp.: -40°C to 80°C
MTBF: 100,000 hours @ 25°C
Warranty: 3-year limited
RoHS compliant
Fly leads: 18 AWG
Dimension (L*W*H): 208.4 * 72 * 38.55 mm
Dimension (L*W*H): 8.2 * 2.83 * 1.52 inch
Packaging: 1 kg/pc; 10 pcs/ctn; G.W.: 12 kg



unit: mm [inch]



SAFETY CERTIFICATION				EMC STANDARDS	
UL	TÜV	CB Report	PSE	CE	FCC

For indoor & outdoor applications (IP67 rating)

Model	DC Voltage	Rated Current	Power	Efficiency (Typ.)
※LCCH-150■240	18 – 24 V	6.3 A ± 5%	151.2 W	91%
LCCH-150■300	24 – 30 V	5 A ± 5%	150 W	91%
LCCH-150■360	30 – 36 V	4.2 A ± 5%	151.2 W	91%
LCCH-150■420	36 – 42 V	3.6 A ± 5%	151.2 W	92%
LCCH-150■480	42 – 48 V	3.2 A ± 5%	153.6 W	92%

Note: Electrical Specifications measured @ 25°C
 Note: ※ Standard Products
 Note: Operating ambient temperature refer to output derating curve.

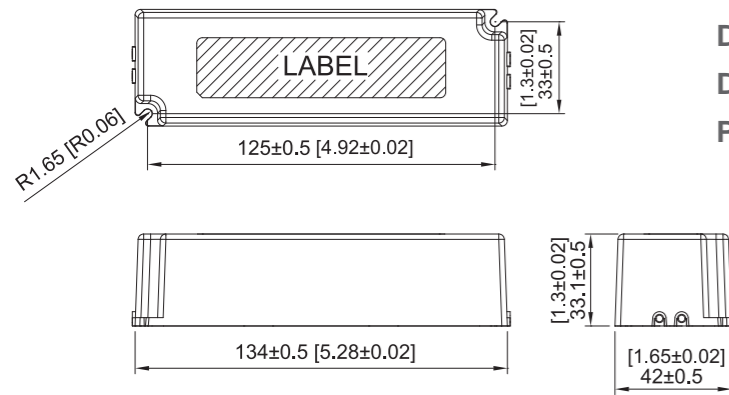
30-LCVE series

Constant Voltage

30-LCVE



AC input range: 90 - 305 V
AC inrush current (Max): 10 A @ 230 V cold start
Power factor: > 0.95 @ 115 VAC; > 0.9 @ 230 VAC
Protections: Overload / Short circuit /
 Over voltage / Over temp.
Operating ambient temp.: -20°C to 60°C
Storage ambient temp.: -40°C to 80°C
MTBF: 100,000 hours @ 25°C
Warranty: 3-year limited
RoHS compliant
Connection: 18 AWG
Dimension (L*W*H): 134 * 42 * 33.1 mm
Dimension (L*W*H): 5.28 * 1.65 * 1.3 inch
Packaging: 310 g/pc; 40 pcs/ctn; G.W.: 14.5 kg



unit: mm [inch]

SAFETY CERTIFICATION					EMC STANDARDS	
UL						

For indoor & outdoor applications (IP67 rating)

Model	DC Voltage		Power	Efficiency (Typ.)	Status
	DC Voltage	Rated Current			
LCVE0030T125	12± 5%	2.5 A	30 W	81%	△
LCVE0030T240	24± 5%	1.25 A	30 W	81%	△

Note: Electrical Specifications measured @ 25°C
 Note: △ Designing

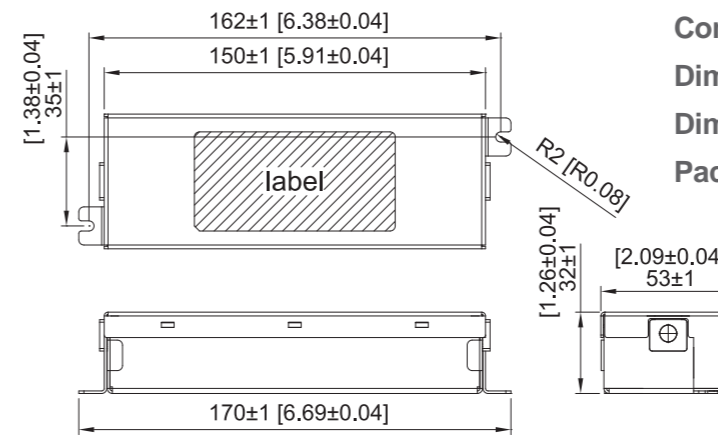
60-LCVE series

Constant Voltage

60-LCVE



AC input range: 90 - 305 V
AC inrush current (Max): 35 A @ 230 V cold start
Power factor: > 0.95 @ 115 VAC; > 0.9 @ 230 VAC
Protections: Overload / Short circuit /
 Over voltage / Over temp.
Operating ambient temp.: -20°C to 60°C
Storage ambient temp.: -40°C to 80°C
MTBF: 100,000 hours @ 25°C
Warranty: 3-year limited
RoHS compliant
Connection: 18 AWG
Dimension (L*W*H): 170 * 53 * 32 mm
Dimension (L*W*H): 6.69 * 2.09 * 1.26 inch
Packaging: 530 g/pc; 20 pcs/ctn; G.W.: 12.6 kg



unit: mm [inch]

SAFETY CERTIFICATION					EMC STANDARDS	
UL					FCC	

For indoor & outdoor applications (IP67 rating)

Model	DC Voltage		Power	Efficiency (Typ.)
	DC Voltage	Rated Current		
LCVE0060■125	12± 5%	5 A	60 W	85%
LCVE0060■240	24± 5%	2.5 A	60 W	87%

Note: Electrical Specifications measured @ 25°C / 230 Vac

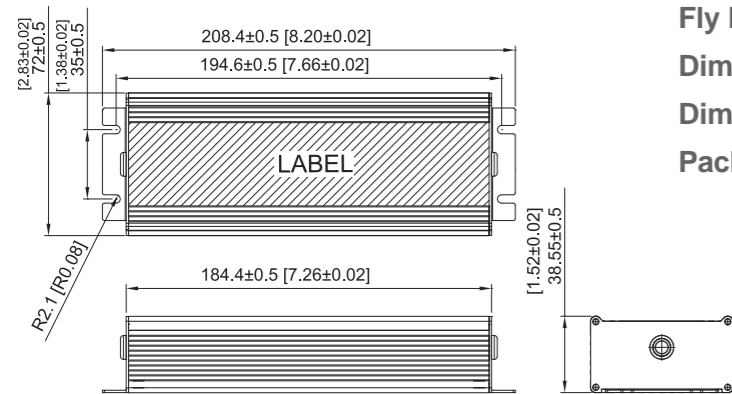
80-LCVH series

Constant Voltage

80-LCVH



AC Input range: 90 - 305 V
 AC Inrush current (Max): 65 A @ 230 V cold start
 Power factor: > 0.98 @ 115 VAC; > 0.95 @ 230 VAC
 Protections: Overload / Short circuit /
 Over voltage / Over temp.
 Operating ambient temp.: -30°C to 70°C
 Storage ambient temp.: -40°C to 80°C
 MTBF: 100,000 hours @ 25°C
 Warranty: 3-year limited
 RoHS compliant
 Fly leads: 18 AWG
 Dimension (L*W*H): 208.4 * 72 * 38.55 mm
 Dimension (L*W*H): 8.2 * 2.83 * 1.52 inch
 Packaging: 1 kg/pc; 10 pcs/ctn; G.W.: 12 kg



unit: mm [inch]



SAFETY CERTIFICATION					EMC STANDARDS	
UL	PSE					

For indoor & outdoor applications (IP67 rating)

Model	DC Voltage	Rated Current	Power	Efficiency (Typ.)
	Constant Voltage Mode			
LCVH-080■080	8 V± 5%	10 A	80 W	82%
LCVH-080■120	12 V± 5%	6.7 A	80.4 W	87%
LCVH-080■240	24 V± 5%	3.4 A	81.6 W	88%
LCVH-080■300	30 V± 5%	2.7 A	81 W	88%
LCVH-080■360	36 V± 5%	2.3 A	82.8 W	90%
LCVH-080■420	42 V± 5%	1.9 A	79.8 W	90%
LCVH-080■480	48 V± 5%	1.67 A	80.16 W	90%

Note: Electrical Specifications measured @ 25°C / 230 Vac

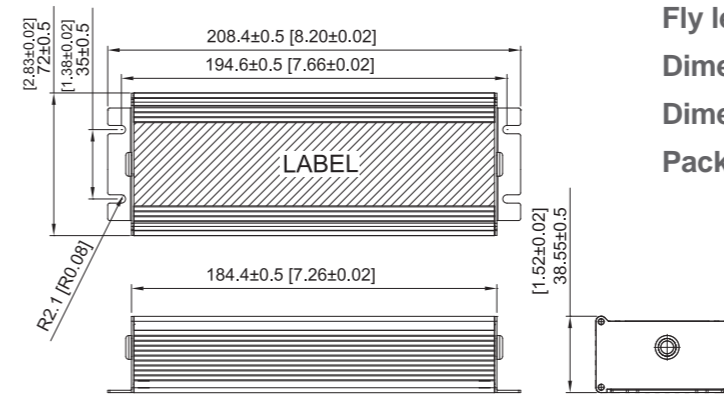
100-LCVH series

Constant Voltage

100-LCVH



AC Input range: 90 - 305 V
 AC Inrush current (Max): 65 A @ 230 V cold start
 Power factor: > 0.98 @ 115 VAC; > 0.95 @ 230 VAC
 Protections: Overload / Short circuit /
 Over voltage / Over temp.
 Operating ambient temp.: -30°C to 70°C
 Storage ambient temp.: -40°C to 80°C
 MTBF: 100,000 hours @ 25°C
 Warranty: 3-year limited
 RoHS compliant
 Fly leads: 18 AWG
 Dimension (L*W*H): 208.4 * 72 * 38.55 mm
 Dimension (L*W*H): 8.2 * 2.83 * 1.52 inch
 Packaging: 1 kg/pc; 10 pcs/ctn; G.W.: 12 kg



unit: mm [inch]



SAFETY CERTIFICATION					EMC STANDARDS	
UL	TÜV	CB Report	PSE	KC	CE	FCC

For indoor & outdoor applications (IP67 rating)

Model	DC Voltage	Rated Current	Power	Efficiency (Typ.)
	Constant Voltage Mode			
※LCVH-100■120	12 V± 5%	8 A	96 W	88%
※LCVH-100■240	24 V± 5%	4.2 A	100.8 W	90%
LCVH-100■300	30 V± 5%	3.4 A	102 W	91%
LCVH-100■360	36 V± 5%	2.8 A	100.8 W	91%
LCVH-100■420	42 V± 5%	2.4 A	100.8 W	91%
LCVH-100■480	48 V± 5%	2.1 A	100.8 W	91%

Note: Electrical Specifications measured @ 25°C / 230 Vac

Note: ※ Standard Products

Note: Operating ambient temperature refer to output derating curve.

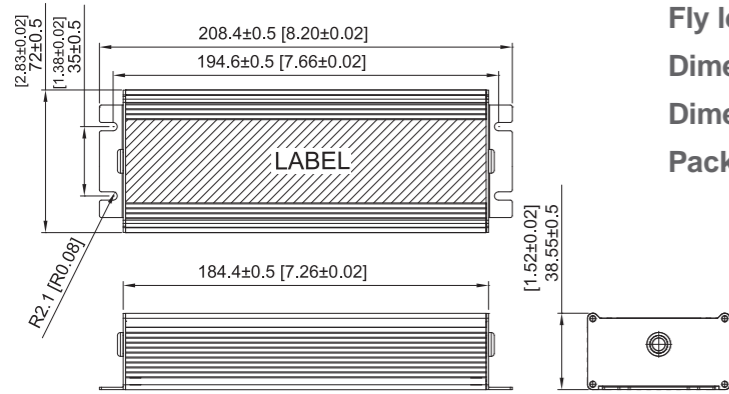
120-LCVH series

Constant Voltage

120-LCVH



AC Input range: 90 - 305 V
AC Inrush current (Max): 65 A @ 230 V cold start
Power factor: > 0.98 @ 115 VAC; > 0.95 @ 230 VAC
Protections: Overload / Short circuit /
 Over voltage / Over temp.
Operating ambient temp.: -30°C to 70°C
Storage ambient temp.: -40°C to 80°C
MTBF: 100,000 hours @ 25°C
Warranty: 3-year limited
RoHS compliant
Fly leads: 18 AWG
Dimension (L*W*H): 208.4 * 72 * 38.55 mm
Dimension (L*W*H): 8.2 * 2.83 * 1.52 inch
Packaging: 1 kg/pc; 10 pcs/ctn; G.W.: 12 kg



unit: mm [inch]



SAFETY CERTIFICATION				EMC STANDARDS	
UL	TÜV	CB Report	PSE	CE	FCC

For indoor & outdoor applications (IP67 rating)

Model	DC Voltage	Rated Current	Power	Efficiency (Typ.)
	Constant Voltage Mode			
LCVH-120■125	12.5V± 5%	9.6 A	120 W	87%
LCVH-120■240	24 V± 5%	5 A	120 W	90%
LCVH-120■300	30 V± 5%	4 A	120 W	91%
LCVH-120■360	36 V± 5%	3.4 A	122.4 W	91%
LCVH-120■420	42 V± 5%	2.9 A	121.8 W	92%
LCVH-120■480	48 V± 5%	2.5 A	120 W	92%

Note: Electrical Specifications measured @ 25°C
 Note: Operating ambient temperature refer to output derating curve.

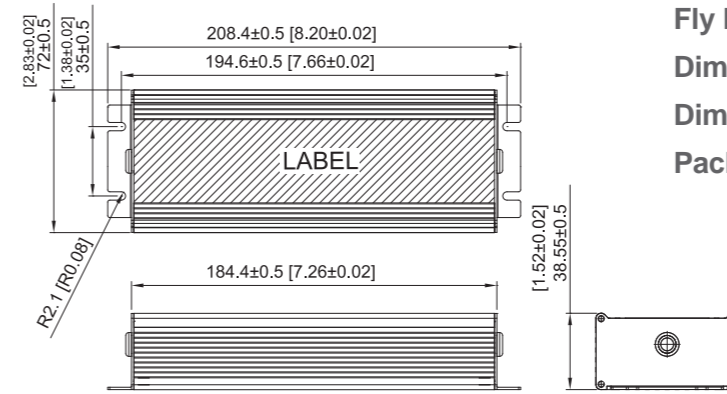
150-LCVH series

Constant Voltage

150-LCVH



AC Input range: 90 - 305 V
AC Inrush current (Max): 65 A @ 230 V cold start
Power factor: > 0.98 @ 115 VAC; > 0.95 @ 230 VAC
Protections: Overload / Short circuit /
 Over voltage / Over temp.
Operating ambient temp.: -30°C to 70°C
Storage ambient temp.: -40°C to 80°C
MTBF: 100,000 hours @ 25°C
Warranty: 3-year limited
RoHS compliant
Fly leads: 18 AWG
Dimension (L*W*H): 208.4 * 72 * 38.55 mm
Dimension (L*W*H): 8.2 * 2.83 * 1.52 inch
Packaging: 1 kg/pc; 10 pcs/ctn; G.W.: 12 kg



unit: mm [inch]



SAFETY CERTIFICATION				EMC STANDARDS	
UL	TÜV	CB Report	PSE	CE	FCC

For indoor & outdoor applications (IP67 rating)

Model	DC Voltage	Rated Current	Power	Efficiency (Typ.)
	Constant Voltage Mode			
※LCVH-150■240	24 V± 5%	6.3 A	151.2 W	91%
LCVH-150■300	30 V± 5%	5 A	150 W	91%
LCVH-150■360	36 V± 5%	4.2 A	151.2 W	91%
LCVH-150■420	42 V± 5%	3.6 A	151.2 W	92%
LCVH-150■480	48 V± 5%	3.2 A	153.6 W	92%

Note: Electrical Specifications measured @ 25°C
 Note: ※ Standard Products
 Note: Operating ambient temperature refer to output derating curve.

8-LCCE series

Constant Current Mode

New Product

AC Input range: 90 - 305 V
Power factor: > 0.95 @ 115 VAC; > 0.85 @ 230 VAC
Operating ambient temp.: -20°C to 60°C
Storage ambient temp.: -40°C to 80°C



For indoor & outdoor applications (IP67 rating)

Model	DC Voltage	Rated Current	Power	Efficiency (Typ.)
LCCE008P351-90	18 - 24 V	0.35 A ± 10%	8 W	80%

Note: Electrical Specifications measured @ 25°C

Under Development

Dimmable 16W / 25W

AC Input range: 90 - 135 V
Operating ambient temp.: -20°C to 50°C
Storage ambient temp.: -40°C to 80°C
Dimmable: Triac



For indoor applications

Power	DC Voltage	Rated Current	Efficiency (Typ.)	AC Inrush Current (Max)
16 W	12 - 16 V	1 A ± 7%	80%	10 A @ 120 V Cold Start
25 W	16 - 24 V	1.05 A ± 7%	80%	10 A @ 120 V Cold Start

Note: Electrical Specifications measured @ 25°C

Multiple Channel series 65-LCCM

AC Input range: 90 - 305 V
Power: 65W
DC Voltage: 36V ~ 48V
DC Output: 3 channels
Connection: terminal blocks



Constant Voltage 200W

AC Input range: 90 - 305 V
Power factor: > 0.9 @ full load
Operating ambient temp.: -30°C to 60°C
Storage ambient temp.: -40°C to 80°C



For indoor & outdoor applications (IP67 rating)

Power	DC Voltage	Rated Current	Efficiency (Typ.)	AC Inrush Current (Max)
200 W	24/36/42/48V	8.4/5.6/4.8/4.2A	93%	65 A @ 230 V Cold Start

Note: Electrical Specifications measured @ 25°C

Quick Selection Map

2013.06

Features	PFC	Series	Stage		CC + CV	Eff. (Typ.)	Warranty (Years)	Page
			Single	Two				
Constant Current	NON-PFC	5-BPH(5W)	●		CC	70%	2	2
	NON-PFC	10-BPH(10W)	●		CC	70%	2	3
	PFC	15-LCC(13W/15W/17W)	●		CC + CV	80%	3	4
	PFC	25-LCCE(18W/20W/25W/30W)	●		CC + CV	84%	3	5
	PFC	25-LCCN(18W/20W/30W)	●		CC + CV	84%	3	7
	PFC	30-BPC(30W)	●		CC	85%	3	8
	PFC	40-LCCS(40W)	●		CC + CV	85%	2	9
	PFC	45-LCC(45W)	●		CC + CV	86%	3	10
Constant Voltage with Current-Limiting	NON-PFC	20-LSP(20W)	●		CC + CV	83%	2	12
	NON-PFC	40-LSP(40W)	●		CC + CV	83%	2	13
	NON-PFC	60-LSP(60W)	●		CC + CV	83%	2	14
Constant Current	PFC	80-LCCH (80W)		●	CC + CV	85%	3	15
	PFC	100-LCCH(100W)		●	CC + CV	91%	3	16
	PFC	120-LCCH(120W)		●	CC + CV	92%	3	17
	PFC	150-LCCH(150W)		●	CC + CV	92%	3	18
Constant Voltage	PFC	30-LCVE(30W)		●	CV	81%	3	19
	PFC	60-LCVE(60W)		●	CV	87%	3	20
	PFC	80-LCVH (80W)		●	CV	85%	3	21
	PFC	100-LCVH(100W)		●	CV	91%	3	22
	PFC	120-LCVH(120W)		●	CV	92%	3	23
	PFC	150-LCVH(150W)		●	CV	92%	3	24
Dimmable Product	Dimmable	16W	●		CC	80%	2	25
	Dimmable	25W	●		CC	80%	2	25
Multiple Channels	PFC	65W	●		CC	87%	2	25
Constant Voltage / Constant Current	PFC	200W		●	CC + CV	93%	3	25

Regulatory Approval list-1

2013.06

●Certified ▲In Process ★New Model

P.	Series	Model	Safety Certification										EMC Standards				
			UL 1310 Class2	UL 60950-1	879	TÜV 61347-2-13	CB	PSE	PSE F1	PSE F6	CQC	KC	CE	FCC			
2	5-BPH	BPHE005C201	●			●									●		
		BPHE005C251				●									●		
		BPHE005C301	●			●									●		
		BPHE005C351	●			●									●		
		BPHE005C401	●			●									●		
		BPHE005C451	●			●									●		
		BPHE005C501	●			●									●		
		BPHE005C551				●									●		
		BPHE005C601	●			●									●		
		BPHE005C651				●									●		
		BPHE005C701	●			●									●		
		BPHE005C751	●			●									●		
		BPHE005C801	●			●									●		
		★8-LCCE	LCCE-008	351				●								●	
		3	10-BPH	BPHE010C201	●			●								●	
				BPHE010C251				●								●	
BPHE010C301	●					●								●			
BPHE010C351	●					●								●			
BPHE010C401	●					●								●			
BPHE010C451						●								●			
BPHE010C501	●					●								●			
BPHE010C551						●								●			
BPHE010C601	●					●								●			
BPHE010C651						●								●			
BPHE010C701	●					●								●			
BPHE010C751	●					●								●			
BPHE010C801	●			●								●					
4	15-LCC	LCCE-013	112	●										●	●		
		LCCE-013	721	●										●	●		
		LCCE-013	501	●										●	●		
		LCCE-013	351	●										●	●		
		LCCE-015	112	●										●	●		
		LCCE-015	801	●										●	●		
		LCCE-015	501	●										●	●		
		LCCE-015	721	●										●	●		
		LCCE-017	142	●										●	●		
		LCCE-017	112	●										●	●		
		LCCE-017	801	●										●	●		
		LCCE-017	701	●										●	●		

Regulatory Approval list-2

2013.06

●Certified ▲In Process ★New Model																
P.	Series	Model	Safety Certification										EMC Standards			
			1310 Class2	UL 60950-1	879	TÜV 61347-2-13	CB	PSE	PSE F1	PSE F6	CQC	KC	CE	FCC		
4	15-LCC	LCCE-017■501		●										●	●	
		LCCE-017■351		●										●	●	
		LCCE-017■122		●					●	●				●	●	
5	25-LCC	LCCE-018■501				●	●						●			
		LCCE-018■701				●	●	●	●				●			
		LCCE-018■122				●	●						●			
		LCCE-018■132				●	●						●	●		
		LCCE-020■601				●	●						●			
		LCCE-020■701				●	●	●	●	●	●		●			
		LCCE-020■801		●		●	●	●	●	●	●		●	●		
		LCCE-020■851				●	●						●			
		LCCE-020■112				●	●						●			
		LCCE-020■122		●		●	●				●		●			
		LCCE-020■142				●	●						●			
		LCCE-020■152				●	●						●			
		LCCE-020■172		●		●	●				●		●	●		
		LCCE-025■701		●		●	●	●	●	●	●		●	●		
		LCCE-025■801		●		●	●	●	●	●	●		●	●		
		LCCE-025■901		●		●	●	●	●	●	●		●	●		
		LCCE-025■112		●		●	●	●	●	●	●		●	●		
		LCCE-025■122		●		●	●	●	●	●	●		●	●		
		LCCE-025■152				●	●				●		●	●		
		LCCE-025■851				●	●	●	●	●	●		●	●		
		LCCE-025■961				●	●	●	●	●	●		●	●		
		LCCE-030■831				●	●						●			
		LCCE-030■112				●	●	●	●	●	●		●			
		LCCE-030■130				●	●	●	●	●	●		●			
		LCCE-030■102											●			
		LCCE-030■202											●			
		LCCN-020■801		●				●	●	●	●		●			
		LCCN-020■122		●							●		●			
		LCCN-020■172		●							●		●			
		LCCN-025■701		●				●	●	●	●		●			
		LCCN-025■801		●				●	●	●	●		●			
		LCCN-025■901		●				●	●	●	●		●			
		LCCN-025■112		●				●	●	●	●		●			
		LCCN-025■122		●				●	●	●	●		●			
		LCCN-018■501											●			
		LCCN-018■701						●	●	●	●		●			
		LCCN-018■122											●			
LCCN-020■601											●					
LCCN-020■701						●	●	●	●		●					
LCCN-020■851											●					
LCCN-020■142											●					
LCCN-020■152											●					
LCCN-025■152									●		●					
LCCN-030■831											●					
LCCN-030■112						●	●	●	●		●					
LCCN-030■132						●	●	●	●		●					
LCCA-025P240						●	●	●	●		●					
8	30-BPC	BPCE030C701				●	●	●	●			●				
		BPCE030C112				●	●	●	●			●				
		BPCE030C142				●	●	●	●			●				
		BPCN030C701				●	●	●	●			●				
		BPCN030C112				●	●	●	●			●				
		BPCN030C142				●	●	●	●			●				
19	30-LCVE	LCVE-030■125										●				
		LCVE-030■240										●				
9	40-LCCS	LCCS-040■112				●	●					●				
		LCCS-040■142				●	●					●				
		LCCS-040■172				●	●					●				
		LCCS-040■282				●	●					●				
		LCCS-040■342				●	●					●				
10	45-LCC	LCCE-045■951		●								●	●			
		LCCE-045■112		●								●	●			
		LCCE-045■132		●								●	●			
		LCCE-045■152		●								●	●			
		LCCE-045■192		●								●	●			
		LCCE-045■232		●								●	●			
		LCCE-045■302		●								●	●			
		LCCE-040■342		●								●	●			
11	60-LCC	LCCE-052■132		●								●	●			
		LCCE-050■202										●	●			
		LCCE-060■132							●	●		●	●			

Regulatory Approval list-3

2013.06

●Certified ▲In Process ★New Model																
P.	Series	Model	Safety Certification										EMC Standards			
			1310 Class2	UL 60950-1	879	TÜV 61347-2-13	CB	PSE	PSE F1	PSE F6	CQC	KC	CE	FCC		
11	60-LCC	LCCE-060■142											●	●		
		LCCE-060■152											●	●		
		LCCE-060■172											●	●		
		LCCE-060■212											●	●		
		LCCE-060■252											●	●		
		LCCE-060■302											●	●		
		LCCE-060■402											●	●		
20	60-LCVE	LCVE-060■125												●		
		LCVE-060■240												●		
12	20-LSP	LSP200212001	●			●	●				●		●			
		LSP200212002				●	●									
		LSP200224001	●			●	●	●	●	●		●		●		
		LSP200224002				●	●									
		LSP200224003				●	●									
		LSP200224005				●	●									
13	40-LSP	LSP400212001				●	●					●				
		LSP400224001	●			●	●	●	●			●				
14	60-LSP	LSP600212001				●	●					●				
		LSP600224001	●			●	●	●	●			●				
21	80-LCVH	LCVH-080■080		●												
		LCVH-080■120		●												
		LCVH-080■240		●												
		LCVH-080■300		●												
		LCVH-080■360		●												
		LCVH-080■420		●												
15	80-LCCH	LCCH-080■080		●												
		LCCH-080■120		●												
		LCCH-080■240		●												
		LCCH-080■300		●												
22	100-LCVH	LCVH-100■120		●			●	●	●			●	●			
		LCVH-100■240		●			●	●	●		●	●	●			
		LCVH-100■300		●			●	●	●		●	●	●			
		LCVH-100■360		●			●	●	●		●	●	●			
		LCVH-100■420		●			●	●	●		●	●	●			
		LCVH-100■480		●			●	●	●		●	●	●			
16	100-LCCH	LCCH-100■120		●			●	●	●			●	●			
		LCCH-100■240		●			●	●	●			●	●			
		LCCH-100■300		●			●	●	●			●	●			
		LCCH-100■420		●			●	●	●			●	●			
23	120-LCVH	LCVH-120■125		●			●	●	●			●	●			
		LCVH-120■240		●			●	●	●			●	●			
		LCVH-120■300		●			●	●	●			●	●			
		LCVH-120■360		●			●	●	●			●	●			
		LCVH-120■480		●			●	●	●			●	●			
17	120-LCCH	LCCH-120■125		●			●	●	●			●	●			
		LCCH-120■240		●			●	●	●			●	●			
		LCCH-120■300		●			●	●	●			●	●			
		LCCH-120■420		●			●	●	●			●	●			
24	150-LCVH	LCVH-150■240		●			●	●	●			●	●			
		LCVH-150■300		●			●	●	●			●	●			
		LCVH-150■360		●			●	●	●			●	●			
		LCVH-150■420		●			●	●	●			●	●			
		LCVH-150■480		●			●	●	●			●	●			
18	150-LCCH	LCCH-150■240		●			●	●	●			●	●			
		LCCH-150■300		●			●	●	●			●	●			
		LCCH-150■360		●			●	●	●			●	●			
		LCCH-150■420		●			●	●	●			●	●			

*CE : EN55015; EN61547; EN61000-3-2,3; EN61000-4-2,3,4,5,6,8,11

*FCC : Part18; Subpart C; Part15; Subpart B

*KC: K61347-2-13

*CQC: GB19510.14; GB19510.1; GB17743; GB17625.1