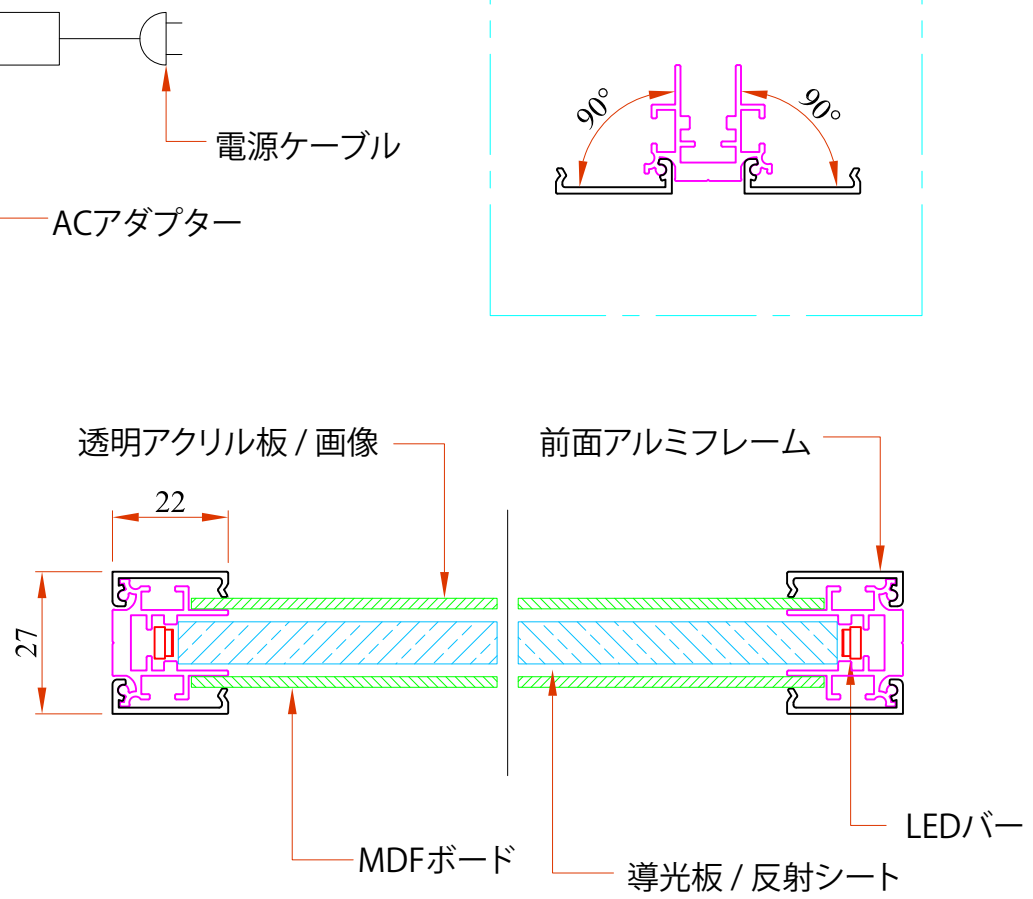
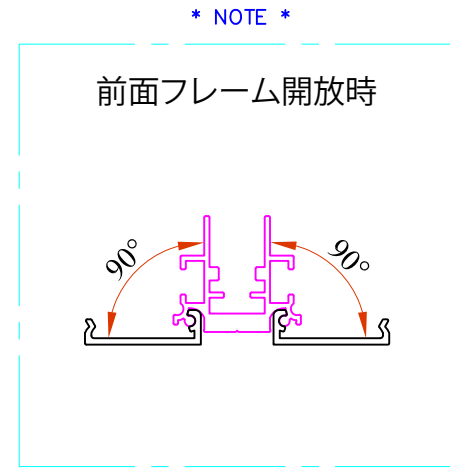
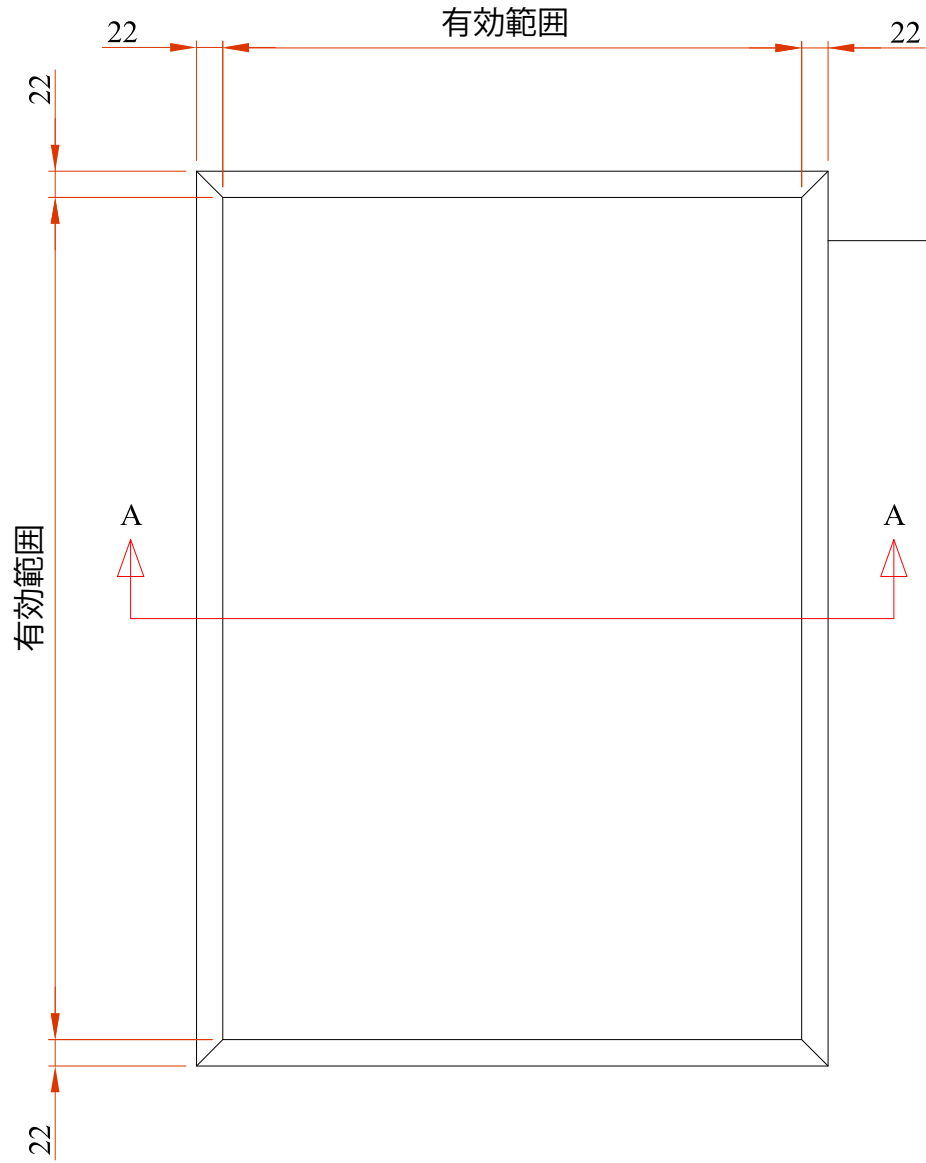


NO	DESCRIPTION	DIMENSION	MAT'L	Q'TY	SPARE	HRC	FINISH
NO	NAME	REF.DWG	Aluminium	1			Silver Black



BR-SB25 Assembly  
Non-Scale

Section A-A  
Scale 1 : 1

COMMERCIAL TOLERANCE (mm)	SURFACE ROUGH.	CH	NO	REMARK	DESIGNED	SCALE	UNIT	DRAWING	TITLE		
1 - ±0.1	550 - S					1/	mm	DESIGNED	Light Panel BR-SB25		
4 - 1±0.2	50 - S						CHECKED				
16 - 6±0.3	18 - S						APPROVED				
63 - 250±0.5	3 - S										
250 - 1000 ± 0.8	0.8 - S							DATE	2013. 02. 27	REF DWG. No	
1000 - 4000 ± 1.5								DWG.NO			

注意 プライイト株式会社の許可なく本書類を改変することを禁じます。

