

### Features:

- Wide Operating Voltage 90 to 305 VAC, 47 to 63 Hz
- Internal EMI filter
- Active Power Factor Correction
- C.C. Mode + C.V. Mode
  - Constant Current: 0.1~5.71A
  - Constant Voltage: 21~50V
- Over Voltage, Over Current, Over Temperature (optional)
- Class I
- 3 year warranty



### Electrical Characteristics:

Vin	Safety Approvals		100~277VAC
	Input Voltage Range		90~305VAC
fin	Input Frequency		47~63Hz
PF	Power Factor Correction	Io=Full load, Vin=90~280VAC	0.90~1.0
Po	Output Power Range		See rating chart
Vo	Output Voltage Range		See rating chart
Io	Output Current Range		See rating chart
Iil	Input Current (Low Line)	Io=Full load, Vin=100VAC	1.8A
Iih	Input Current (High Line)	Io=Full load, Vin=240VAC	0.7A
Ir	Low Line Inrush Current	Io=Full load, 25°C, Cool start, Vin=115VAC	37A (max.)
	High Line Inrush Current	Io=Full load, 25°C, Cool start, Vin=230VAC	75A (max.)
Eff	Efficiency	Io=Full Load, Vin=230VAC	86~92%
REG-i	Line Regulation	Io=Full Load	0.5~1%
REG-o	Load Regulation	Vin=230VAC (C.C.)	5%
	Load Regulation	Vin=230VAC (C.V.)	3%
OVP	Over Voltage Protection		103~105%
OCP	Over Current Protection		105% (max.)
Ttr	Time of Transient Response	Io=Full Load to Half Load, Vin=100VAC	4mS (max.)
Th	Hold-Up Time	Io=Full Load, Vin=100VAC	12mS (min.)
Ts	Start Up Time	Io=Full Load, Vin=100VAC	1S (max.)
Vp-p	Ripple & Noise (Peak to Peak)	Full Load, Vin=90VAC	1% (max.)
Iik	Safety Ground Leakage Current	Vin=240VAC/60Hz	0.75mA (max.)
TC	Temperature Coefficient	All output	±0.04%/°C
Pno	No-Load Power Consumption	No load, Vin=230VAC	See rating chart
Vps	Dielectric Withstanding Voltage	Primary to secondary	4346VAC (min.)
Vpg	Dielectric Withstanding Voltage for Primary to PE	Primary to PE	1798VAC (min.)
Ris	Isolation Resistance	Test Voltage=500VDC	50MΩ (min.)

### Environmental

To	Operating Temperature	See derating curve
Ts	Storage Temperature	-40~85°C
Ho	Operating Humidity	0~95%
Hr	Storage Humidity	0~95%
MTBF	Operating Temperature at 25°C, Calculated per MIL-HDBK-217F	0.1M Hrs (min.)
Pd	Derate linearly from 100% load at 60°C to 50% load at 70°C	

### Application:

- Outdoor installations

### Safety Approvals:



UL/c-UL (UL8750:1st edition)

TUV (EN61347-1: 2008,  
IEC61347-1: 2007,  
EN/IEC61347-2-13: 2006)

CE-EMC (EN55015: 2006+A2: 2009  
& EN61547: 2009)



### Output Voltage And Current Rating Chart ( Single Output ) :

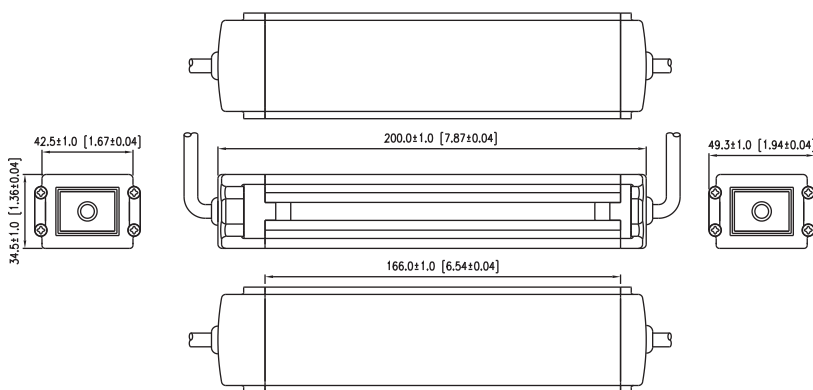
Model Number	Output Voltage	Output Current	Load Regulation	Max. Output Power	Pno (max.)
LSU120B-108-21V	21 VDC	0.1 ~ 5.71 A	5%	120W	1W
LSU120B-108-22V	22 VDC	0.1 ~ 5.45 A	5%	120W	1W
LSU120B-108-23V	23 VDC	0.1 ~ 5.21 A	5%	120W	1W
LSU120B-108-24V	24 VDC	0.1 ~ 5.00 A	5%	120W	1W
LSU120B-108-25V	25 VDC	0.1 ~ 4.80 A	5%	120W	1W
LSU120B-108-26V	26 VDC	0.1 ~ 4.61 A	5%	120W	1W
LSU120B-108-27V	27 VDC	0.1 ~ 4.44 A	5%	120W	1W
LSU120B-109-27V	27 VDC	0.1 ~ 4.44 A	5%	120W	1W
LSU120B-109-28V	28 VDC	0.1 ~ 4.28 A	5%	120W	1W
LSU120B-109-29V	29 VDC	0.1 ~ 4.13 A	5%	120W	1W
LSU120B-109-30V	30 VDC	0.1 ~ 4.00 A	5%	120W	1W
LSU120B-109-31V	31 VDC	0.1 ~ 3.87 A	5%	120W	1W
LSU120B-109-32V	32 VDC	0.1 ~ 3.75 A	5%	120W	1W
LSU120B-109-33V	33 VDC	0.1 ~ 3.63 A	5%	120W	1W
LSU120B-110-33V	33 VDC	0.1 ~ 3.63 A	5%	120W	1W
LSU120B-110-34V	34 VDC	0.1 ~ 3.52 A	5%	120W	1W
LSU120B-110-35V	35 VDC	0.1 ~ 3.42 A	5%	120W	1W
LSU120B-110-36V	36 VDC	0.1 ~ 3.33 A	5%	120W	1W
LSU120B-110-37V	37 VDC	0.1 ~ 3.24 A	5%	120W	1W
LSU120B-110-38V	38 VDC	0.1 ~ 3.15 A	5%	120W	1W
LSU120B-110-39V	39 VDC	0.1 ~ 3.07 A	5%	120W	1W
LSU120B-110-40V	40 VDC	0.1 ~ 3.00 A	5%	120W	1W
LSU120B-111-40V	40 VDC	0.1 ~ 3.00 A	5%	120W	1W
LSU120B-111-41V	41 VDC	0.1 ~ 2.92 A	5%	120W	1W
LSU120B-111-42V	42 VDC	0.1 ~ 2.85 A	5%	120W	1W
LSU120B-111-43V	43 VDC	0.1 ~ 2.79 A	5%	120W	1W
LSU120B-111-44V	44 VDC	0.1 ~ 2.72 A	5%	120W	1W
LSU120B-111-45V	45 VDC	0.1 ~ 2.66 A	5%	120W	1W
LSU120B-111-46V	46 VDC	0.1 ~ 2.60 A	5%	120W	1W
LSU120B-111-47V	47 VDC	0.1 ~ 2.55 A	5%	120W	1W
LSU120B-111-48V	48 VDC	0.1 ~ 2.50 A	5%	120W	1W
LSU120B-111-49V	49 VDC	0.1 ~ 2.44 A	5%	120W	1W
LSU120B-111-50V	50 VDC	0.1 ~ 2.40 A	5%	120W	1W

The output voltage range will vary from  $V_o$  to  $0.6 \cdot V_o$  of each model on C.C. Mode.

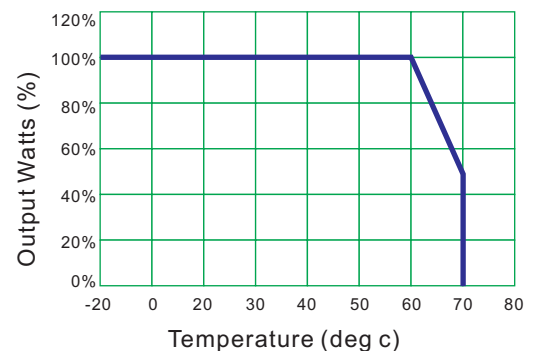
Input Connector : SJWT, 18AWGx3C (1Ft)

Output Connector : SJWT, 18AWGx2C (1Ft)

### Mechanical Specifications:



### Derating Curve :



1. Operating Temperature: -20 to 70°C
2. Derate linearly from 100% load at 60°C to 50% load at 70°C

Note:

1. Dimensions are shown in inches or mm .
2. Weight: 680~750gs approx.