

Features:

- Wide Operating Voltage 90 to 305 VAC, 47 to 63 Hz
- Internal EMI filter
- Active Power Factor Correction
- C.C. Mode + C.V. Mode
 - Constant Current: 0.1~4.04A
 - Constant Voltage: 21~50V
- Over Voltage, Over Current, Over Temperature (optional)
- Class I
- 3 year warranty



Electrical Characteristics:

Vin	Safety Approvals Input Voltage Range	100~277VAC
	Operate Voltage Range	90~305VAC
fin	Input Frequency	47~63Hz
PF	Power Factor Correction	Io=Full load, Vin=90~280VAC
Po	Output Power Range	See rating chart
Vo	Output Voltage Range	See rating chart
Io	Output Current Range	See rating chart
Iil	Input Current (Low Line)	Io=Full load, Vin=100VAC
Iih	Input Current (High Line)	Io=Full load, Vin=240VAC
Ir	Low Line Inrush Current	Io=Full load, 25°C, Cool start, Vin=115VAC
	High Line Inrush Current	Io=Full load, 25°C, Cool start, Vin=230VAC
Eff	Efficiency	Io=Full Load, Vin=230VAC
REG-i	Line Regulation	Io=Full Load
REG-o	Load Regulation	Vin=230VAC (C.C.)
	Load Regulation	Vin=230VAC (C.V.)
OVP	Over Voltage Protection	103~105%
OCP	Over Current Protection	105% (max.)
Ttr	Time of Transient Response	Io=Full Load to Half Load, Vin=100VAC
Th	Hold-Up Time	Io=Full Load, Vin=100VAC
Ts	Start Up Time	Io=Full Load, Vin=100VAC
Vp-p	Ripple & Noise (Peak to Peak)	Full Load
Iik	Safety Ground Leakage Current	Vin=240VAC/60Hz
TC	Temperature Coefficient	All output
Pno	No-Load Power Consumption	No load, Vin=230VAC
Vps	Dielectric Withstanding Voltage	Primary to secondary
Vpg	Dielectric Withstanding Voltage for Primary to PE	Primary to PE
Ris	Isolation Resistance	Test Voltage=500VDC

Application:

- Outdoor installations

Safety Approvals:



UL/c-UL(UL8750:1st edition)

TUV(EN61347-1: 2008,
IEC61347-1: 2007,
EN/IEC61347-2-13: 2006)

CE-EMC(EN55015: 2006+A2: 2009
& EN61547: 2009)

Environmental

To	Operating Temperature	See derating curve
Ts	Storage Temperature	-40~85°C
Ho	Operating Humidity	0~95%
Hr	Storage Humidity	0~95%
MTBF	Operating Temperature at 25°C, Calculated per MIL-HDBK-217F	0.1M Hrs (min.)
Pd	Derate linearly from 100% load at 60°C to 50% load at 70°C	



Output Voltage And Current Rating Chart (Single Output) :

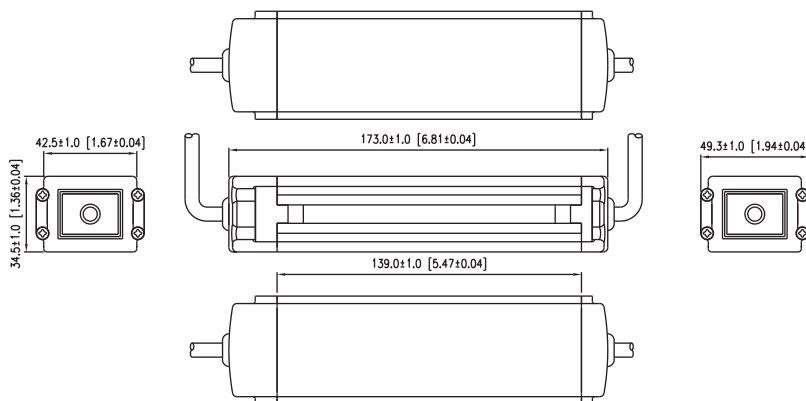
Model Number	Output Voltage	Output Current	Load Regulation	Max. Output Power	Pno (max.)
LSU85B-108-21V	21 VDC	0.1 ~ 4.04 A	5%	85W	1W
LSU85B-108-22V	22 VDC	0.1 ~ 3.86 A	5%	85W	1W
LSU85B-108-23V	23 VDC	0.1 ~ 3.69 A	5%	85W	1W
LSU85B-108-24V	24 VDC	0.1 ~ 3.54 A	5%	85W	1W
LSU85B-108-25V	25 VDC	0.1 ~ 3.40 A	5%	85W	1W
LSU85B-108-26V	26 VDC	0.1 ~ 3.26 A	5%	85W	1W
LSU85B-108-27V	27 VDC	0.1 ~ 3.14 A	5%	85W	1W
LSU85B-109-27V	27 VDC	0.1 ~ 3.14 A	5%	85W	1W
LSU85B-109-28V	28 VDC	0.1 ~ 3.03 A	5%	85W	1W
LSU85B-109-29V	29 VDC	0.1 ~ 2.93 A	5%	85W	1W
LSU85B-109-30V	30 VDC	0.1 ~ 2.83 A	5%	85W	1W
LSU85B-109-31V	31 VDC	0.1 ~ 2.74 A	5%	85W	1W
LSU85B-109-32V	32 VDC	0.1 ~ 2.65 A	5%	85W	1W
LSU85B-109-33V	33 VDC	0.1 ~ 2.57 A	5%	85W	1W
LSU85B-110-33V	33 VDC	0.1 ~ 2.57 A	5%	85W	1W
LSU85B-110-34V	34 VDC	0.1 ~ 2.50 A	5%	85W	1W
LSU85B-110-35V	35 VDC	0.1 ~ 2.42 A	5%	85W	1W
LSU85B-110-36V	36 VDC	0.1 ~ 2.36 A	5%	85W	1W
LSU85B-110-37V	37 VDC	0.1 ~ 2.29 A	5%	85W	1W
LSU85B-110-38V	38 VDC	0.1 ~ 2.23 A	5%	85W	1W
LSU85B-110-39V	39 VDC	0.1 ~ 2.17 A	5%	85W	1W
LSU85B-110-40V	40 VDC	0.1 ~ 2.12 A	5%	85W	1W
LSU85B-111-40V	40 VDC	0.1 ~ 2.12 A	5%	85W	1W
LSU85B-111-41V	41 VDC	0.1 ~ 2.07 A	5%	85W	1W
LSU85B-111-42V	42 VDC	0.1 ~ 2.02 A	5%	85W	1W
LSU85B-111-43V	43 VDC	0.1 ~ 1.97 A	5%	85W	1W
LSU85B-111-44V	44 VDC	0.1 ~ 1.93 A	5%	85W	1W
LSU85B-111-45V	45 VDC	0.1 ~ 1.88 A	5%	85W	1W
LSU85B-111-46V	46 VDC	0.1 ~ 1.84 A	5%	85W	1W
LSU85B-111-47V	47 VDC	0.1 ~ 1.80 A	5%	85W	1W
LSU85B-111-48V	48 VDC	0.1 ~ 1.77 A	5%	85W	1W
LSU85B-111-49V	49 VDC	0.1 ~ 1.73 A	5%	85W	1W
LSU85B-111-50V	50 VDC	0.1 ~ 1.70 A	5%	85W	1W

The output voltage range will vary from V_o to $0.6 \cdot V_o$ of each model on C.C. Mode.

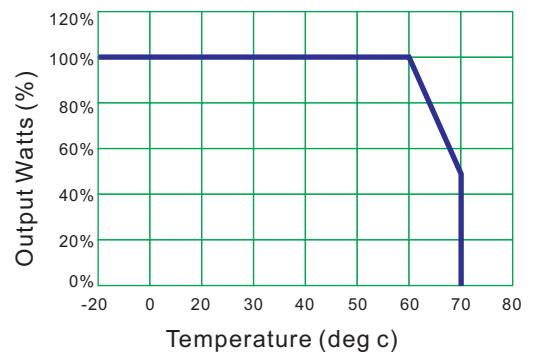
Input Connector : SJTW, 18AWGx3C (1Ft)

Output Connector : SJTW, 18AWGx2C (1Ft)

Mechanical Specifications:



Derating Curve :



1. Operating Temperature: -20 to 70°C
2. Derate linearly from 100% load at 60°C to 50% load at 70°C

Note:

1. Dimensions are shown in inches or mm .
2. Weight: 530~600gs approx.