



Order Code DGLMPS01

Overview

A certified DALI-2 compliant Power Supply for a single line of the Digital Addressable Lighting Interface (DALI) open standard protocol for lighting.

Each DALI line in an installation requires a dedicated DALI power supply for correct operation.

This unit provides power for one DALI line that may contain lighting fixtures including emergency lighting, fluorescent or LED lamp, colour changing lighting, conversion devices, switches, sensors and interface devices. Each of these DALI devices draws power from the DALI line which is provided by the DALI Power Supply.

Features

Ensures the maximum current delivered to a DALI line will not be exceeded.

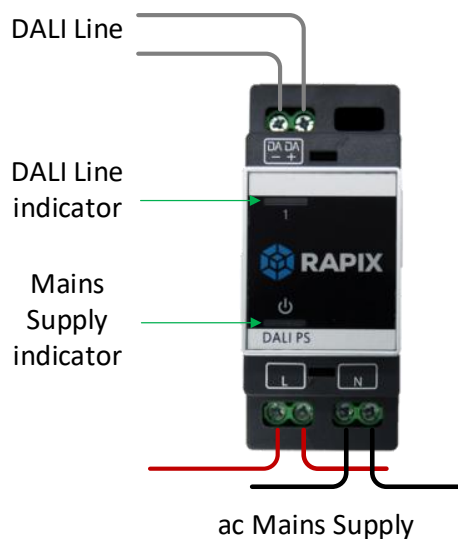
Indicators for displaying the status of the mains supply connection and the DALI line.

Nominal DALI current 238 mA, guaranteed minimum DALI current of 225 mA.

DIN rail mounted.

Complies with DALI standard IEC 62386-101.

Connections



Specifications

Parameter	Specification	
Nominal Input Voltage	100 – 240 V ac	
Input Power	10 VA	
Frequency	50 – 60 Hz	
DALI Line Capacity	1	
DALI Line Supply Voltage	18 V dc (nominal)	
DALI Line Supply current	225 mA (guaranteed) / 238 mA (nominal) / 250 mA (maximum)	
Suitability	DALI and DALI-2 Systems	
Isolation	> 3.75 kV ac (DALI line/mains supply)	
Start-up Time	< 20 ms	
DALI Line Terminals	Screwed – 3 x 1.5 mm ² solid/stranded	
Mains Supply Terminal	Screwed – 3 x 1.5 mm ² or 2 x 2.5 mm ² solid/stranded per tunnel	
Ingress Protection	IP20	
Materials: Enclosure/Fascia	Flame retardant Polycarbonate, UL 94V-0	
Materials: DIN Rail Clip	ABS	
Weight	104g	
Ambient Operating Temp.	0 to 50° C	
Ambient Storage Temp.	-10 to 70° C	
Humidity	0% to 95% RH non condensing	
DALI Line Indicator	Indicator Display	Meaning
	Green: ON	Correct operation, supplying 18 V dc (nominal) to the DALI line
	Green/Blue: Flashing	DALI communications occurring on the connected DALI line
	Green/Blue: ON	Overload condition – too many DALI devices or a faulty device(s) on the DALI line
	Blue: ON	Short circuit on the connected DALI line
	OFF	DALI line power error. Check that 220 / 240 V ac mains supply is connected correctly.
Mains Supply Indicator	Indicator Display	Meaning
	Green: ON	Correct operation indicating 220 / 240 V ac mains supply is present
	OFF	No 220 / 240 V ac mains supply connected

Standards & Compliance

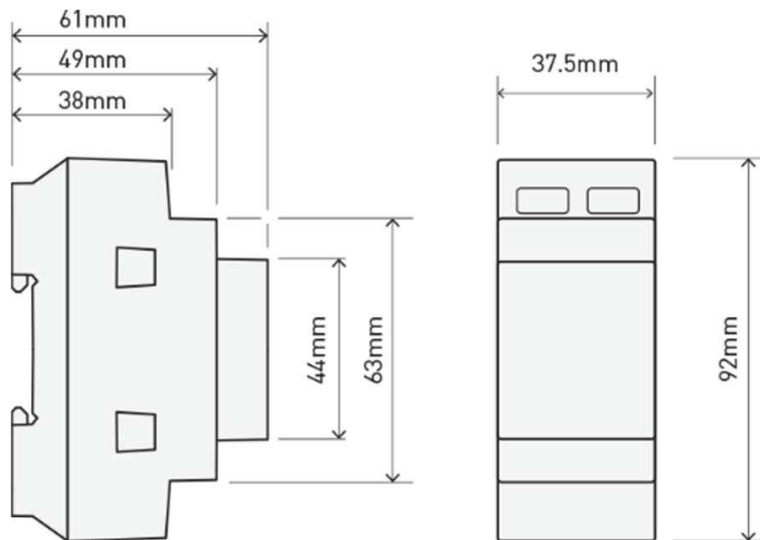
AS/NZS CISPR 15:2011
EN 61000-3-2:2009
EN 61000-3-3:2013
EN 61547:2009
AS/NZ 61347.1:2002, EN 61347-1:2008+A1, A2
AS/NZ 61347.2.2:2007
IEC 61347-2-13
EN 61347-2-11:2002

DALI Standards and Compliance

IEC 62386-101, Ed 2 (DALI-2)

EC Council Directives

2014/35/EU Low Voltage
2014/30/EU Electromagnetic Compatibility (EMC)
2015/863 Restriction of Hazardous Substances (RoHS) in Electrical and Electronic Equipment

IP20**UK
CA****CE****ROHS
COMPLIANT****Dimensions**

Contact Information

Web www.ozuno.com
All Enquiries +61 8 8362 7584 sales@ozuno.com

Ozuno Trading Pty Ltd

ABN: 96 621 194 483
4/115 Payneham Rd
St Peters SA 5069
Australia

This product includes a **TWO-YEAR WARRANTY** against manufacturing defects.

RAPIX is a trademark of Ozuno Holdings Pty Ltd.

COPYRIGHT © 2021-2023 This document is copyright by Ozuno Holdings Pty Ltd. Except as permitted under relevant law, no part of this data sheet may be reproduced by any process without written permission of and acknowledgement to Ozuno.

DISCLAIMER. Ozuno Holdings Pty Ltd (Ozuno) reserves the right to alter the specifications, designs or other features of any items and to discontinue any items at any time without notice and without liability. While every effort is made to ensure that all information in this Data Sheet is correct, no warranty of accuracy is given and Ozuno shall not be liable for any error.

TRADEMARKS. The identified trademarks and copyrights are the property of Ozuno Holdings Pty Ltd unless otherwise noted.

13-10-050-001-03 September 2023